



15F3141

Tire Service Cart



Building Quality Ground Support Products Since 1961

- Diamond plate walk surfaces
- Optional extra divider rail
- Towbar actuated parking brake
- Spring assisted ramp doors
- 4.00 x 8, 3 stage solid tires on 7 ga. rims
- Rear pintle hitch
- Durable powder coat finish

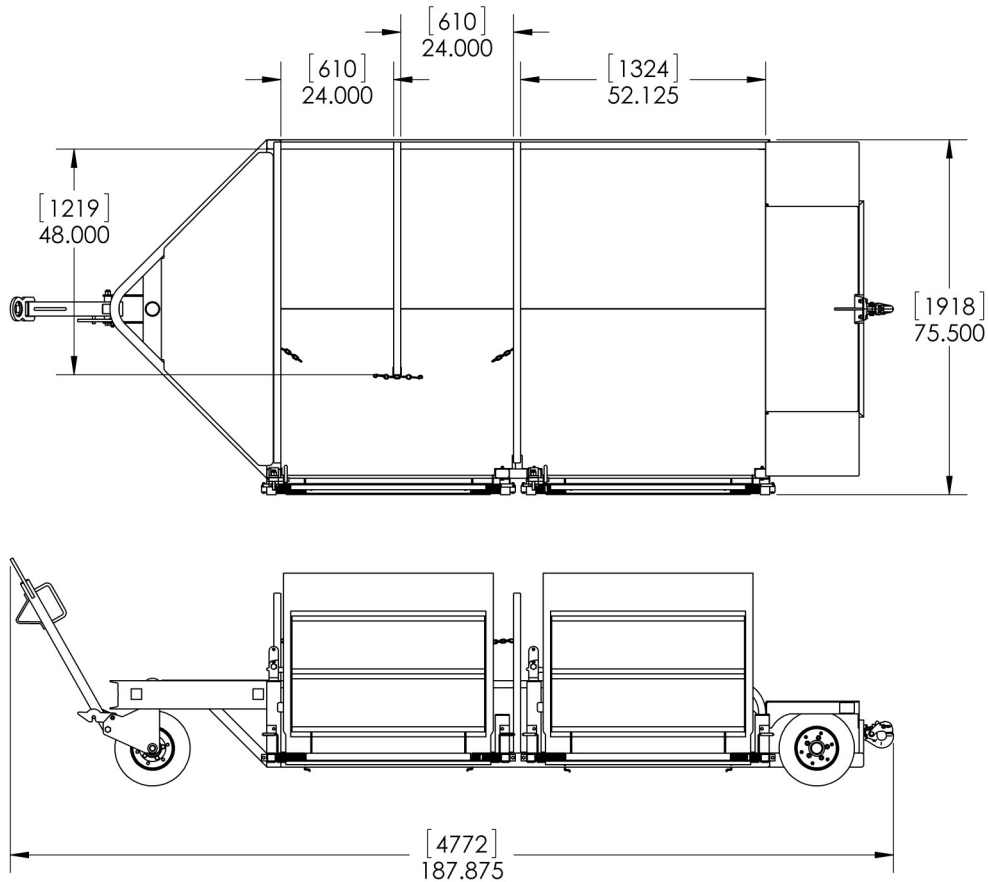
CLYDE

Clyde Machines
P.O. Box 194
1150 Hwy 55 N.
Glenwood, MN 56334 USA
(320) 634-4504
(320) 634-4506 Fax

www.clydemachines.com

15F3141

Tire Service Cart



Shipping Information

- Dimensions:
 - Weight - 1880 lbs.
 - Length - 188"
 - Width - 76"
 - Height - 49"

CLYDE

Clyde Machines
P.O. Box 194
1150 Hwy 55 N.
Glenwood, MN 56334 USA
(320) 634-4504
(320) 634-4506 Fax

www.clydemachines.com