



15F2828

MD80-88-90 / DC9 / B717 Towbar



Building Quality Ground Support Products Since 1961

- Main frame constructed of structural tubing
- Fully retractable hydraulic undercarriage for adjustable height
- Safety lock system to avoid separation from aircraft
- 4" cushioned swivel lunette towing eye
- Skid plate behind towing eye keeps towing eye from striking ground
- Durable powder coat finish
- Quality shear bolts for aircraft protection
- Extra set of shear bolts included
- Optional pneumatic tires

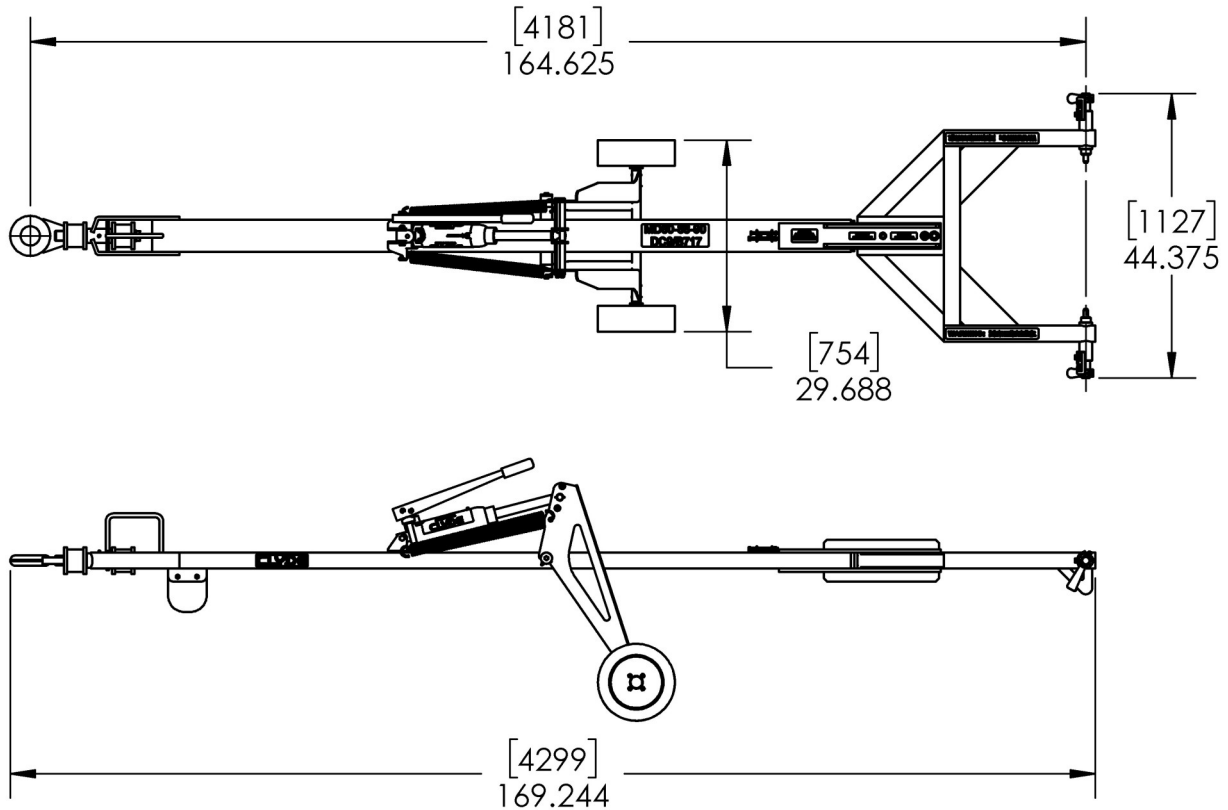
CLYDE

Clyde Machines
P.O. Box 194
1150 Hwy 55 N.
Glenwood, MN 56334 USA
(320) 634-4504
(320) 634-4506 Fax

www.clydemachines.com

15F2828

MD80-88-90 / DC-9 / B717 Towbar



Shipping Information

- Shipping Dimensions:
 - Weight — 382 lbs.
 - Length — 170"
 - Width — 45"
 - Height — 26"
- Crated Dimensions:
 - Weight — 720 lbs.
 - Length — 175"
 - Width — 45.5"
 - Height — 29"

CLYDE

Clyde Machines
P.O. Box 194
1150 Hwy 55 N.
Glenwood, MN 56334 USA
(320) 634-4504
(320) 634-4506 Fax

www.clydemachines.com