



15F146

727 Towbar



Building Quality Ground Support Products Since 1961

- 8" x 15' high strength aluminum tube
- Fully retractable hydraulic running gear for adjustable height
- Safety lock system to avoid separation from aircraft
- Durable powder coat paint
- Quality shear bolts for aircraft protection
- Extra set of shear bolts included
- Solid tires
- Options:
 - Pin type head
 - 727/707 swivel head
 - Foam filled tires
 - Pneumatic tires
 - Cushioned lunette assembly
 - Spliced tube for easy transport

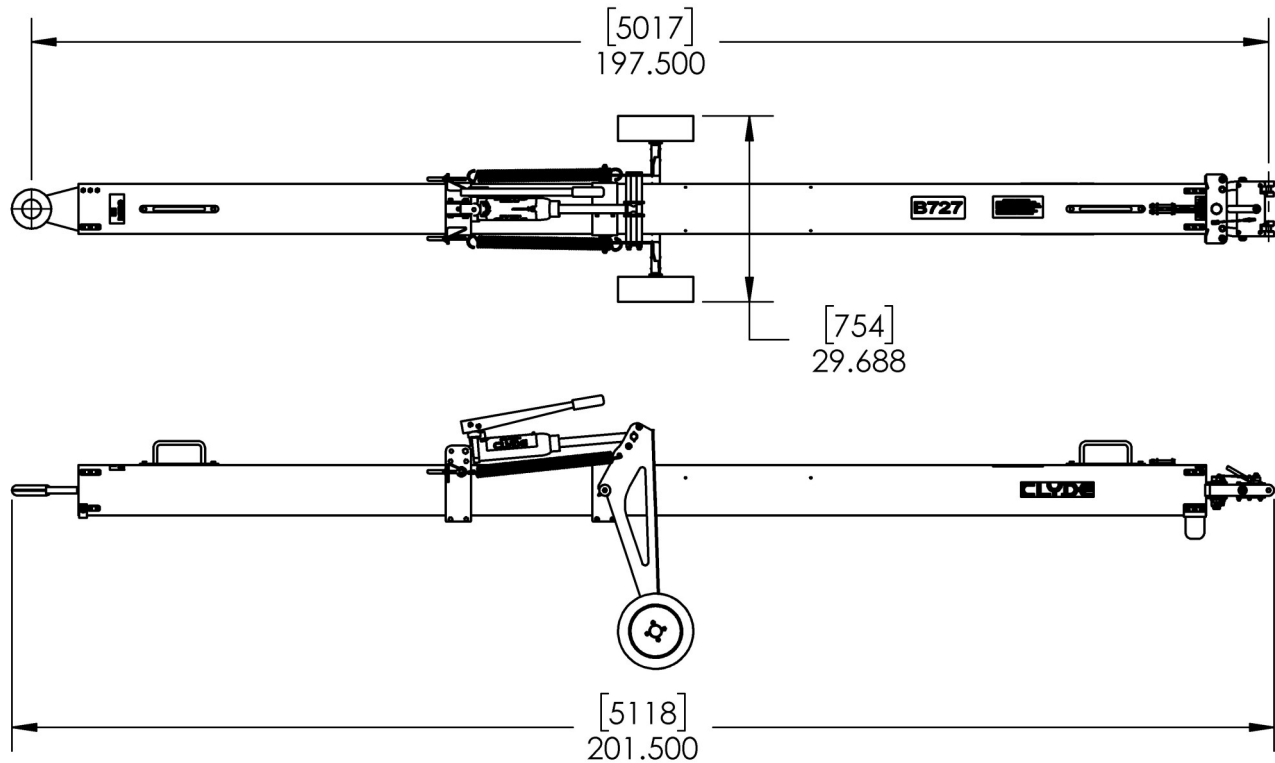
CLYDE

Clyde Machines
P.O. Box 194
1150 Hwy 55 N.
Glenwood, MN 56334 USA
(320) 634-4504
(320) 634-4506 Fax

www.clydemachines.com

15F146

727 Towbar



Shipping Information

- Shipping Dimensions:
 - Weight — 350 lbs.
 - Length — 202"
 - Width — 30"
 - Height — 25"
- Crated Dimensions:
 - Weight — 770 lbs.
 - Length — 217"
 - Width — 26"
 - Height — 28"

CLYDE

Clyde Machines
P.O. Box 194
1150 Hwy 55 N.
Glenwood, MN 56334 USA
(320) 634-4504
(320) 634-4506 Fax

www.clydemachines.com