



**15F3015**

# Warehouse Cart



**Building Quality Ground Support Products Since 1961**

- Capacity 7500 lbs.
- Double Ackerman steering
- Towbar held at hitch height with adjustable spring
- 400 x 8 solid tires
- Epoxy Powder Coat
- Rear E-hitch
- Optional:
  - Backup guide
  - Parking brake

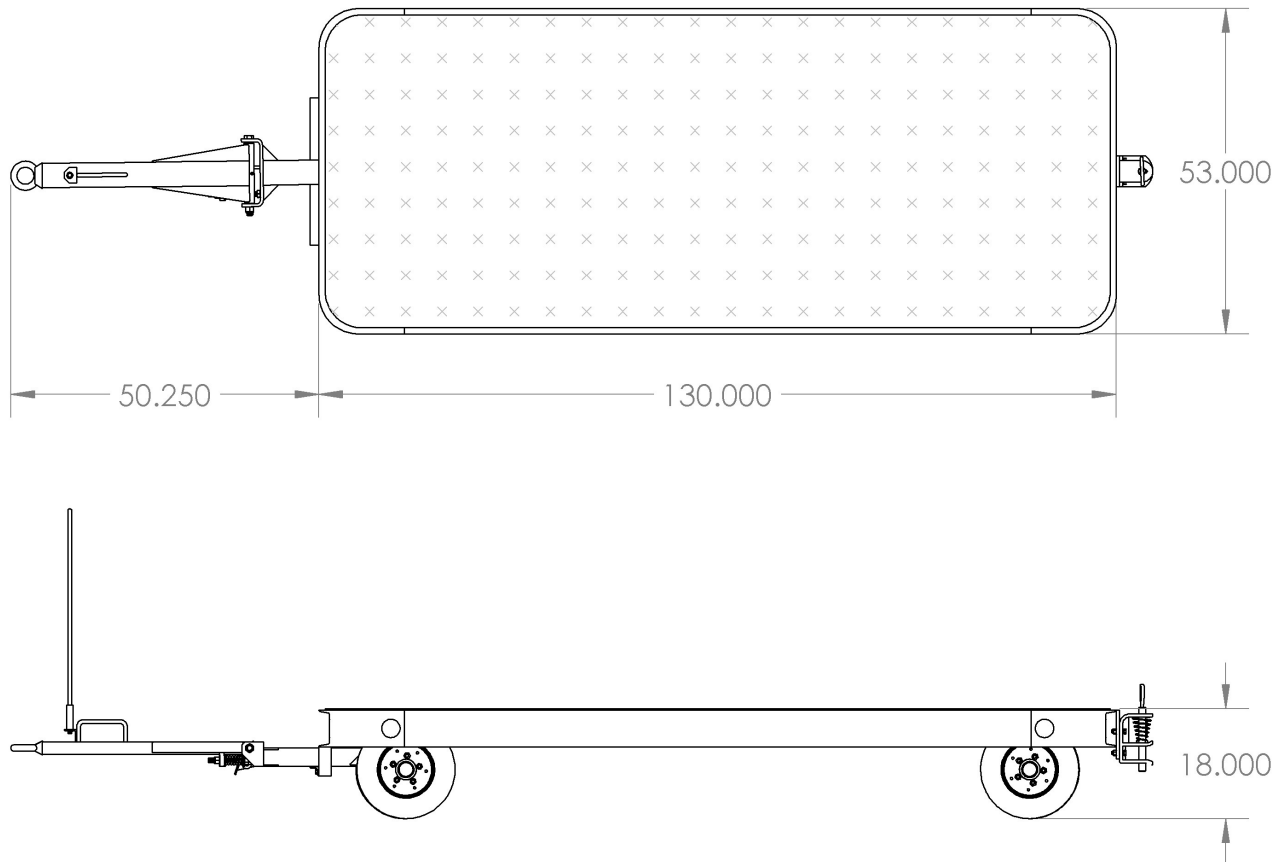
# CLYDE

**Clyde Machines**  
P.O. Box 194  
1150 Hwy 55 N.  
Glenwood, MN 56334 USA  
(320) 634-4504  
(320) 634-4506 Fax

[www.clydemachines.com](http://www.clydemachines.com)

**15F3015**

# Warehouse Cart



## Shipping Information

- Shipping Dimensions:
  - Weight - 1200 lbs.
  - Length - 172"
  - Width - 53"
  - Height - 44

**CLYDE**

**Clyde Machines**  
P.O. Box 194  
1150 Hwy 55 N.  
Glenwood, MN 56334 USA  
(320) 634-4504  
(320) 634-4506 Fax

[www.clydemachines.com](http://www.clydemachines.com)