



15F2955

# Mobility Chair Lift



Building Quality Ground Support Products Since 1961

- The Mobility Chair Lift is designed to lift mobility chairs from ground level to belt loader height
- 12 volt Electric over Hydraulic lifting mechanism - with on board battery charger and solar panel
- 29" of travel— 40" max height
- Unit Capacity — 700 lbs.
- Towbar actuated adjustable brake
- Epoxy Powder Coat
- Solid 400x8 Tires

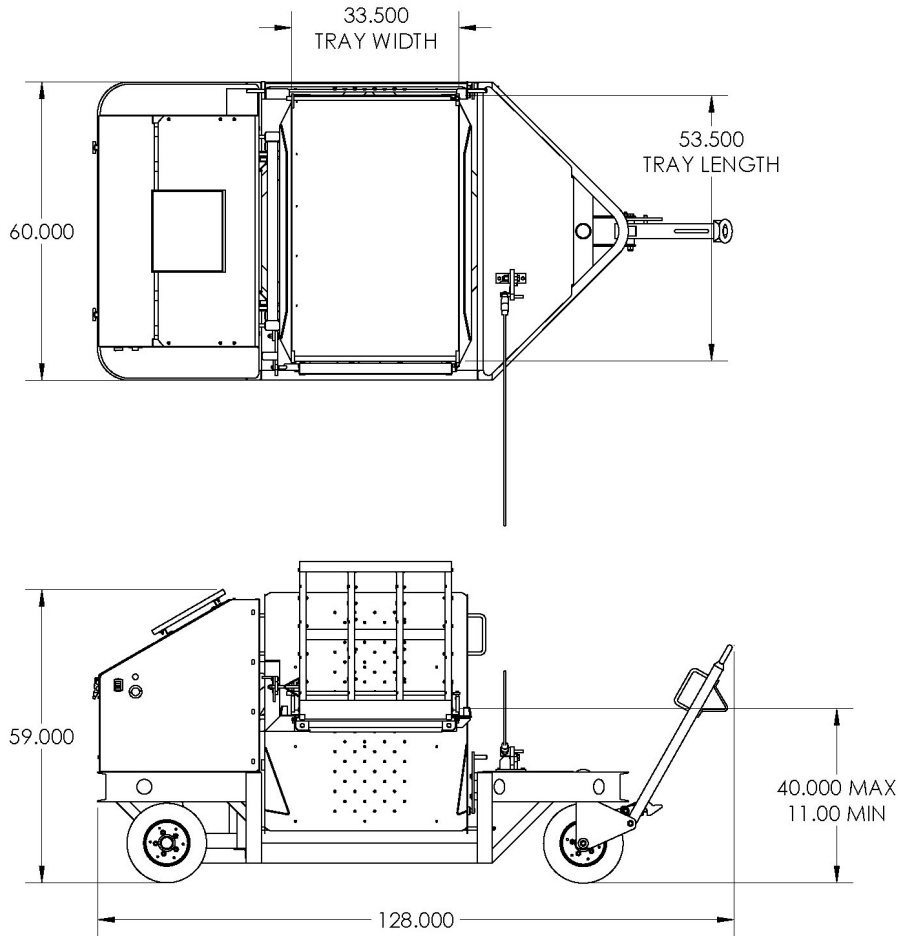
# CLYDE

Clyde Machines  
P.O. Box 194  
1150 Hwy 55 N.  
Glenwood, MN 56334 USA  
(320) 634-4504  
(320) 634-4506 Fax

[www.clydemachines.com](http://www.clydemachines.com)

# 15F2955

## Mobility Chair Lift



### Shipping Information

- Dimensions:
  - Weight—1650 lbs.
  - Length—128"
  - Height—59"
  - Width—60"

# CLYDE

**Clyde Machines**  
P.O. Box 194  
1150 Hwy 55 N.  
Glenwood, MN 56334 USA  
(320) 634-4504  
(320) 634-4506 Fax

[www.clydemachines.com](http://www.clydemachines.com)