

15F3092



# Maintenance Stand



Building Quality Ground Support Products Since 1961

- 500 lb. platform capacity
- Platform Heights are: 57", 75", and 86"
- Gas strut lift system
- OSHA compliant
- Non-slip self-cleaning steps and platform floor
- Heavy-duty caster and 16" dia. Solid tires make it easy to move from job-to-job
- Single lever stabilizer/brake
- Upper platform railings can be lifted out and stored below
- Mid platform railings can be easily swung down and out of the way
- Base, stairs, and platform stay parallel at any height position
- Durable powder coat finish

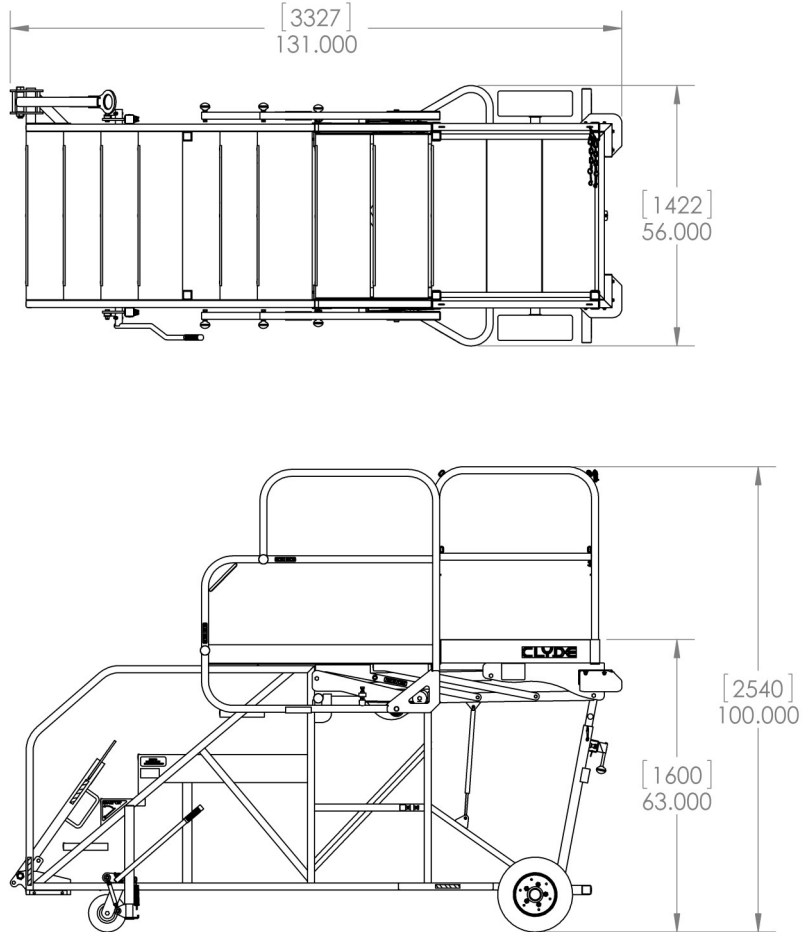
# CLYDE

Clyde Machines  
P.O. Box 194  
1150 Hwy 55 N.  
Glenwood, MN 56334 USA  
(320) 634-4504  
(320) 634-4506 Fax

[www.clydemachines.com](http://www.clydemachines.com)

**15F3092**

# Maintenance Stand



## Shipping Information

- Dimensions:
  - Weight - 890 lbs.
  - Length - 132"
  - Width - 56"
  - Height - 100"

**CLYDE**

**Clyde Machines**  
P.O. Box 194  
1150 Hwy 55 N.  
Glenwood, MN 56334 USA  
(320) 634-4504  
(320) 634-4506 Fax

[www.clydemachines.com](http://www.clydemachines.com)