



**15F2959**

# Baggage Cart



**Building Quality Ground Support Products Since 1961**

- 900 lb. capacity
- Automatic spring loaded brake
- Left or Right hand opening
- 12" diameter tires
  - Optional foam filled tire
- Galvanized shelves
- Optional corner bumpers
- Durable power coat finish

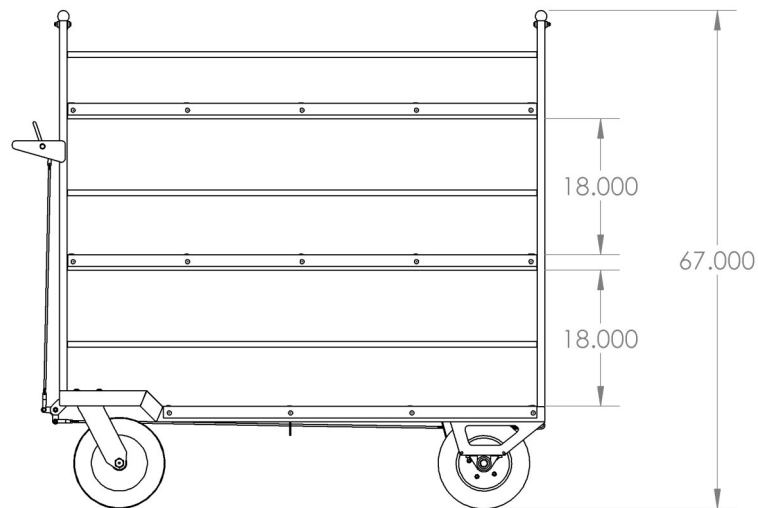
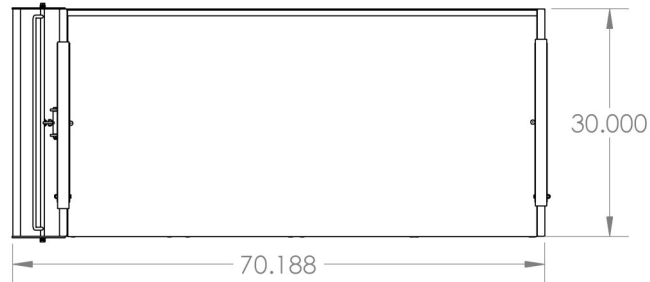
# CLYDE

**Clyde Machines**  
P.O. Box 194  
1150 Hwy 55 N.  
Glenwood, MN 56334 USA  
(320) 634-4504  
(320) 634-4506 Fax

[www.clydemachines.com](http://www.clydemachines.com)

**15F2959**

# Baggage Cart



## Shipping Information

- Shipping Dimensions:
  - Weight - 350 lbs.
  - Length - 71"
  - Width - 30"
  - Height - 67"

**CLYDE**

**Clyde Machines**  
P.O. Box 194  
1150 Hwy 55 N.  
Glenwood, MN 56334 USA  
(320) 634-4504  
(320) 634-4506 Fax

[www.clydemachines.com](http://www.clydemachines.com)