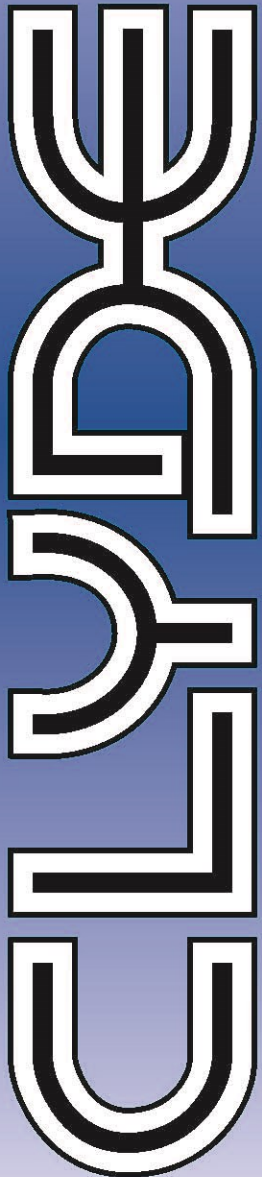


15F4165

Maintenance Stand



Building Quality Ground Support Products Since 1961

- An updated, improved version of the long time standard B-4 used by the Military
- Self closing swing gate for added fall protection
- 500 lb. capacity
- Working height of 88"- 138"
- Foot actuated hydraulic pump
- 8" Heavy duty swivel casters with brakes and swivel locks
- Platform size of 30" x 76"
- Drop down pole to tow stand
- Durable powder coat finish

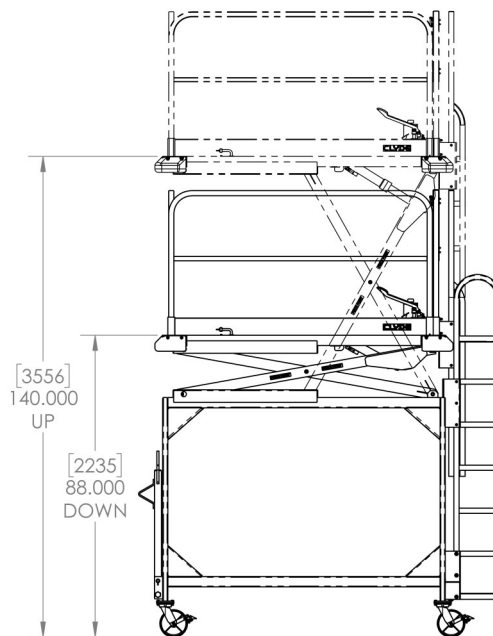
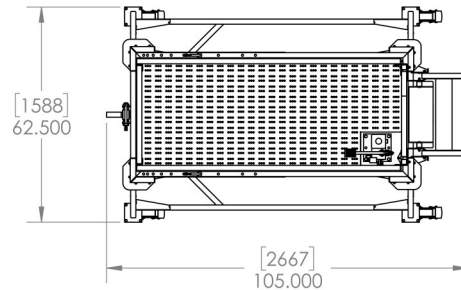
CLYDE

Clyde Machines
P.O. Box 194
1150 Hwy 55 N.
Glenwood, MN 56334 USA
(320) 634-4504
(320) 634-4506 Fax

www.clydemachines.com

15F4165

Maintenance Stand



Shipping Information

- Dimensions:
 - Weight - 1,145 lbs.
 - Length - 105"
 - Width - 63"
 - Height - 101"

Note: When shipped the upper platform handrails and top ladder are removed. Installation is required at the destination.

CLYDE

Clyde Machines
P.O. Box 194
1150 Hwy 55 N.
Glenwood, MN 56334 USA
(320) 634-4504
(320) 634-4506 Fax

www.clydemachines.com