



15F4160

Maintenance Stand



Building Quality Ground Support Products Since 1961

- An updated, improved version of the long time standard B-4 used by the Military
- Self closing swing gate for added fall protection
- 500 lb. capacity
- Working height of 36"- 86"
- Foot actuated hydraulic pump
- 8" Heavy duty swivel casters with brakes and swivel locks
- Platform size of 30" x 76"
- Drop down pole to tow stand
- Durable powder coat finish

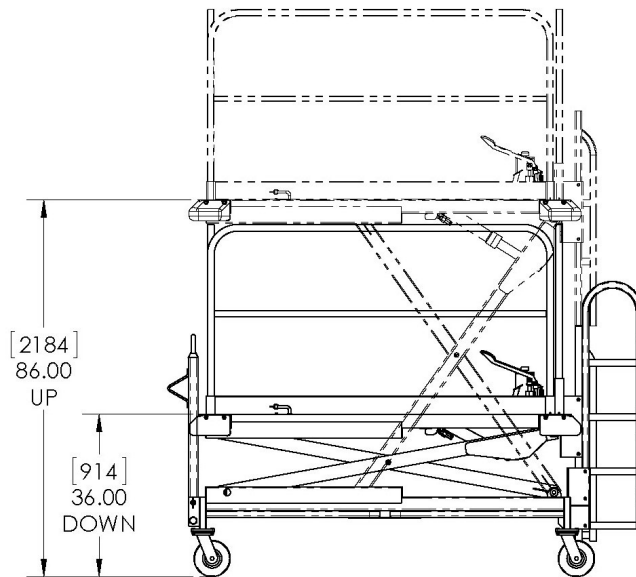
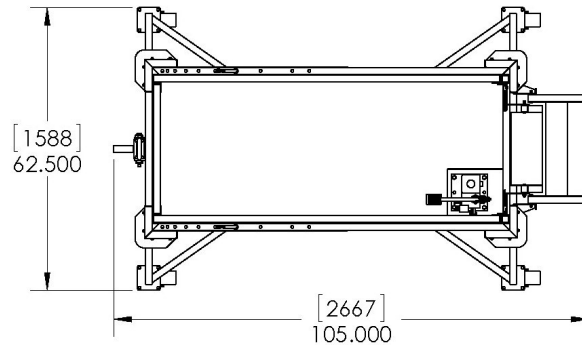
CLYDE

Clyde Machines
P.O. Box 194
1150 Hwy 55 N.
Glenwood, MN 56334 USA
(320) 634-4504
(320) 634-4506 Fax

www.clydemachines.com

15F4160

Maintenance Stand



Shipping Information

- Dimensions:
 - Weight - 1030 lbs.
 - Length - 105"
 - Width - 63"
 - Height - 86"

5 units can ship fully assembled on a step deck or flatbed truck. With the ladders removed, we can load up to 9 units on a 53' flatbed.

CLYDE

Clyde Machines
P.O. Box 194
1150 Hwy 55 N.
Glenwood, MN 56334 USA
(320) 634-4504
(320) 634-4506 Fax

www.clydemachines.com