



**15F4805 & 15F4810**

# Container Trailer



**Building Quality Ground Support Products Since 1961**

- Cargo Capacity - 3500 lbs.
- Pallet Capacity - LD1, LD2, and LD3
- Two wheel steering (15F4810), Four wheel steering (15F4805)
- Containers rotate without complicated mechanisms = less maintenance
- Trailers are stackable for easy storage and safe shipping
- Towbar activated parking brake
- Long tie rod protected from impact
- Casters and rollers protected from impact
- Recessed frame to protect customer markings
- 4.00 x 8, 3 stage solid tires on 7 ga. rims
- Max tow speed of 15 mph (24 kph)
- Durable powder coat finish
- Under carriage protection (optional)

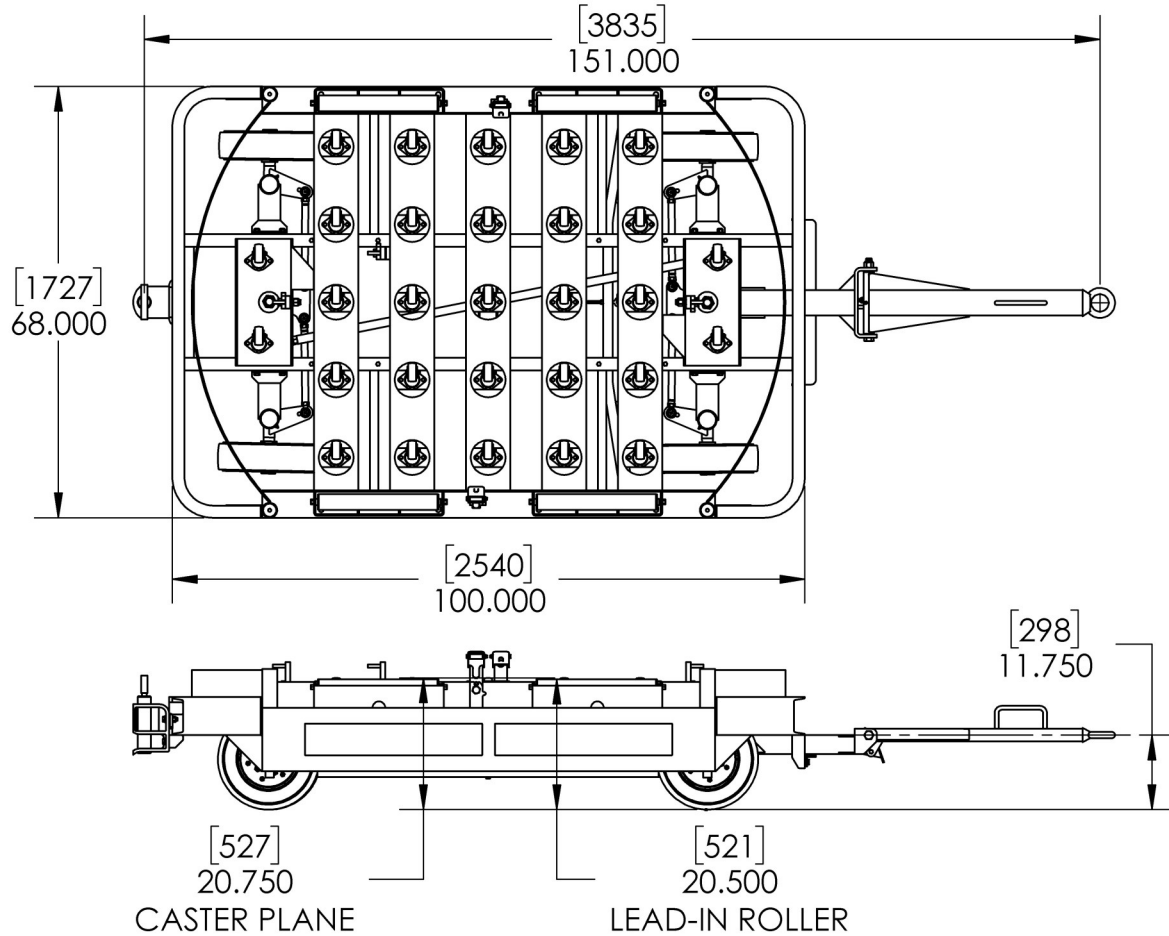
# CLYDE

**Clyde Machines**  
P.O. Box 194  
1150 Hwy 55 N.  
Glenwood, MN 56334 USA  
(320) 634-4504  
(320) 634-4506 Fax

[www.clydemachines.com](http://www.clydemachines.com)

# 15F4805 & 15F4810

## Container Trailer



### Shipping Information

- Dimensions:
  - Weight - 1200 lbs.
  - Length (towbar up) - 134"
  - Length (towbar down) - 156"
  - Width - 68"
  - Height - 24"

# CLYDE

**Clyde Machines**  
P.O. Box 194  
1150 Hwy 55 N.  
Glenwood, MN 56334 USA  
(320) 634-4504  
(320) 634-4506 Fax

[www.clydemachines.com](http://www.clydemachines.com)