



15F3141

Tire Service Cart



Building Quality Ground Support Products Since 1961

- Diamond plate walk surfaces
- Optional extra divider rail
- Towbar actuated Parking Brake
- Spring assisted ramp doors
- 400 x 8 Solid 3 stage tires
- Rear pintle hitch
- Epoxy Powder Coated



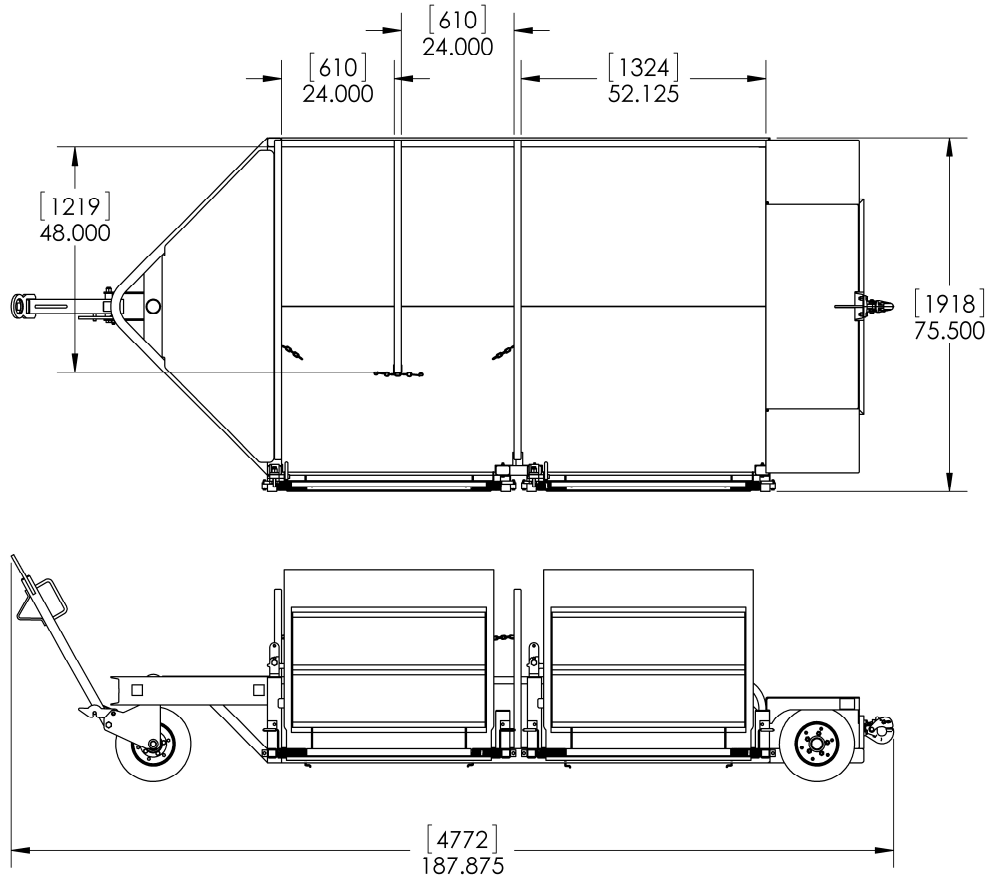
CLYDE

Clyde Machines
P.O. Box 194
1150 Hwy 55 N.
Glenwood, MN 56334 USA
(320) 634-4504
(320) 634-4506 Fax

www.clydemachines.com

15F3141

Tire Service Cart



Shipping Dimensions

- 188" Long
- 76" Wide
- 49" tall
- 1880 lbs.

CLYDE

Clyde Machines
P.O. Box 194
1150 Hwy 55 N.
Glenwood, MN 56334 USA
(320) 634-4504
(320) 634-4506 Fax

www.clydemachines.com