



15F3495

# B737 (100-900) Towbar



Building Quality Ground Support Products Since 1961

- 8" x 15' high strength aluminum tube
- Safety lock system to avoid separation from aircraft
- Fully retractable hydraulic running gear for adjustable height
- Durable powder coated paint
- Quality shear bolts for aircraft protection
- Extra set of shear bolts included
- Solid tires
  - Optional:
    - Pneumatic tires
    - Foam filled tires

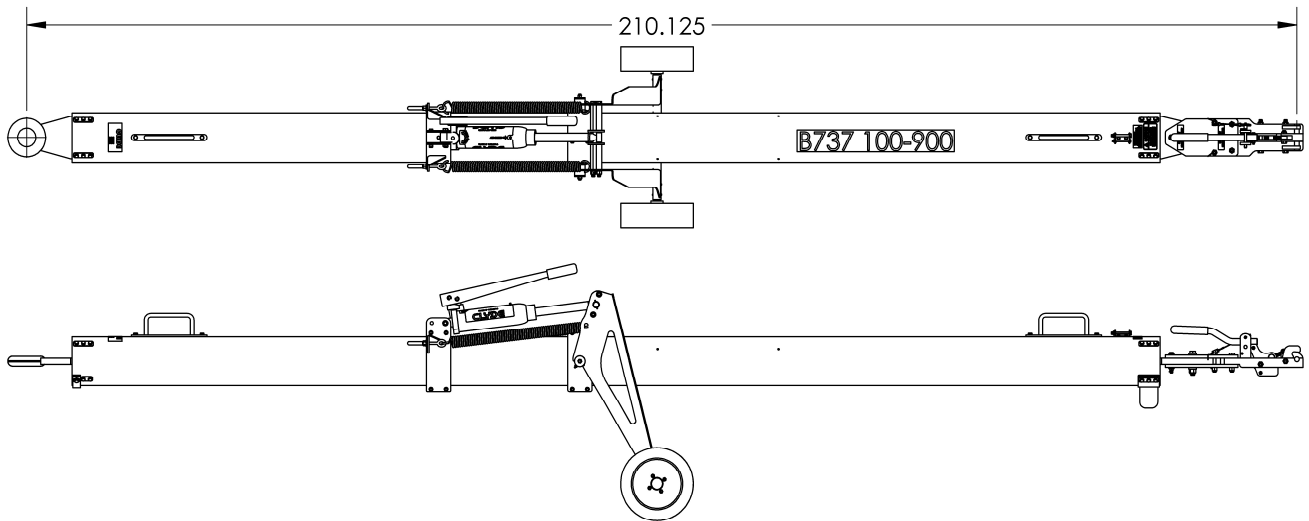
# CLYDE

Clyde Machines  
P.O. Box 194  
1150 Hwy 55 N.  
Glenwood, MN 56334 USA  
(320) 634-4504  
(320) 634-4506 Fax

[www.clydemachines.com](http://www.clydemachines.com)

**15F3495**

# **B737 (100-900) Towbar**



## **Shipping Information**

- Shipping Dimensions:
  - Weight - 350 lbs
  - Length - 212"
  - Width - 29"
  - Height - 25"
- Crated Shipping Dimensions
  - Weight - 730 lbs
  - Length - 217"
  - Width - 26"
  - Height - 27"

**CLYDE**

**Clyde Machines**  
P.O. Box 194  
1150 Hwy 55 N.  
Glenwood, MN 56334 USA  
(320) 634-4504  
(320) 634-4506 Fax

[www.clydemachines.com](http://www.clydemachines.com)