



15F3157

Rx-ERJ 170-195 Towbar



Building Quality Ground Support Products Since 1961

- Main frame constructed of structural tubing
- 4" cushioned swivel lunette towing eye
- Fully retractable hydraulic undercarriage for adjustable height
- Towbar is shear bolt designed to protect aircraft nosegear
- Skid plate behind towing eye keeps towing eye from striking ground
- Safety lock system to avoid separation from aircraft
- Solid tires
- Epoxy powder coated per customer color

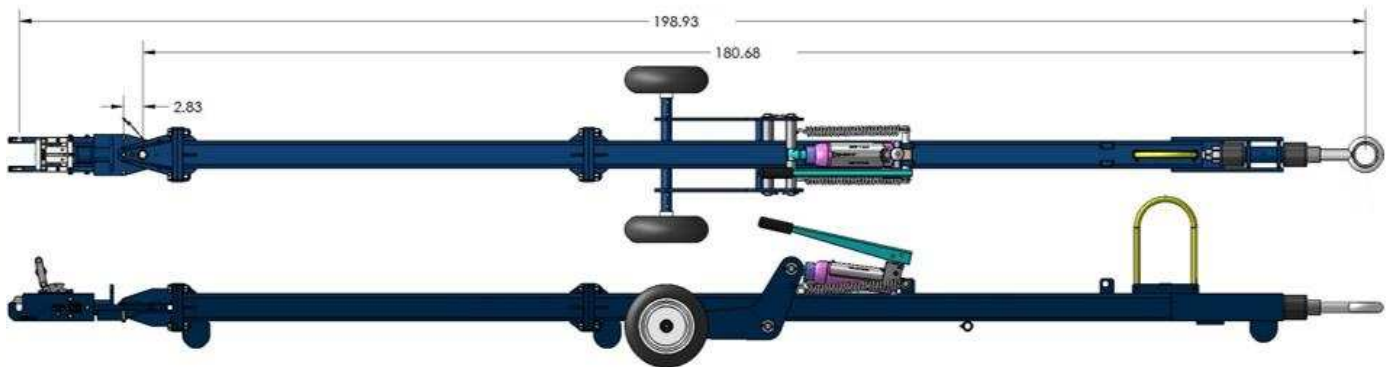
CLYDE

Clyde Machines
P.O. Box 194
1150 Hwy 55 N.
Glenwood, MN 56334 USA
(320) 634-4504
(320) 634-4506 Fax

www.clydemachines.com

15F3157

Rx-ERJ 170-195 Towbar



Shipping Information

- Shipping Weight
 - 432 lbs
- Shipping Dims
 - Length 204"
 - Width 24"
 - Height 20"
- Crated Weight
 - 658 lbs
- Crated Dims
 - Length 120"
 - Width 28"
 - Height 28"

CLYDE

Clyde Machines
P.O. Box 194
1150 Hwy 55 N.
Glenwood, MN 56334 USA
(320) 634-4504
(320) 634-4506 Fax

www.clydemachines.com