



15F2970

Wide Body Towbar



Building Quality Ground Support Products Since 1961

- Made of high strength steel
- Safety lock system to avoid separation from aircraft
- Quality shear bolts for aircraft protection
- Powder coated and zinc plated
- Pneumatic tires
- Fully hydraulic retractable undercarriage for adjustable height
- Extra set of shear bolts included
- Fits following aircraft:
 - A380-700
 - 800
 - 800F
 - 800R
 - 900



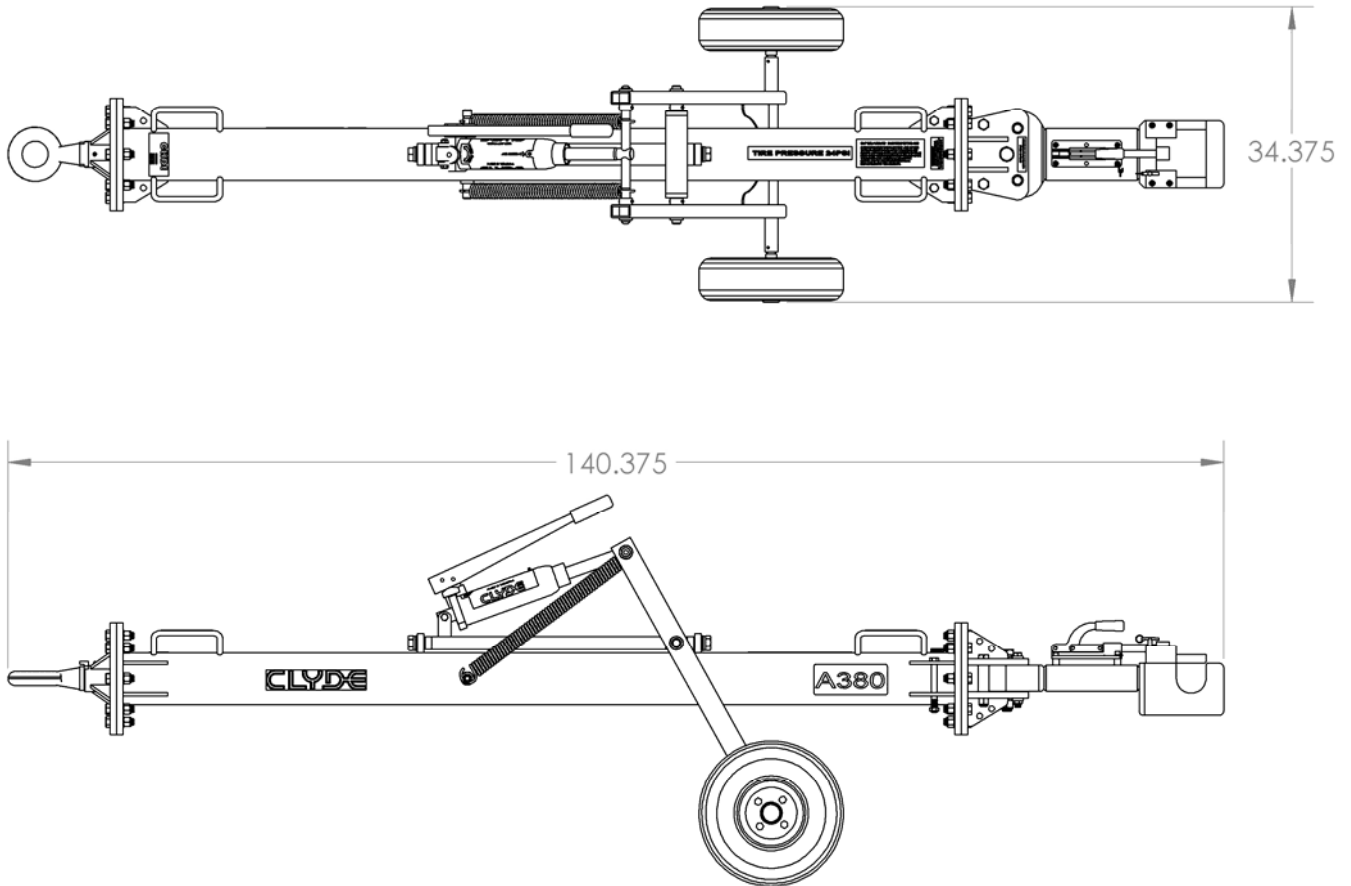
CLYDE

Clyde Machines
P.O. Box 194
1150 Hwy 55 N.
Glenwood, MN 56334 USA
(320) 634-4504
(320) 634-4506 Fax

www.clydemachines.com

15F2970

Wide Body Towbar



Shipping Information

- Shipping Weight:
 - 600 lbs
- Shipping Dimensions:
 - Length — 144"
 - Width — 34.5"
 - Height — 25"
- Crated Shipping Weight:
 - 900 lbs
- Crated Shipping Dimensions:
 - Length — 152"
 - Width — 22"
 - Height — 30"

CLYDE

Clyde Machines
P.O. Box 194
1150 Hwy 55 N.
Glenwood, MN 56334 USA
(320) 634-4504
(320) 634-4506 Fax

www.clydemachines.com