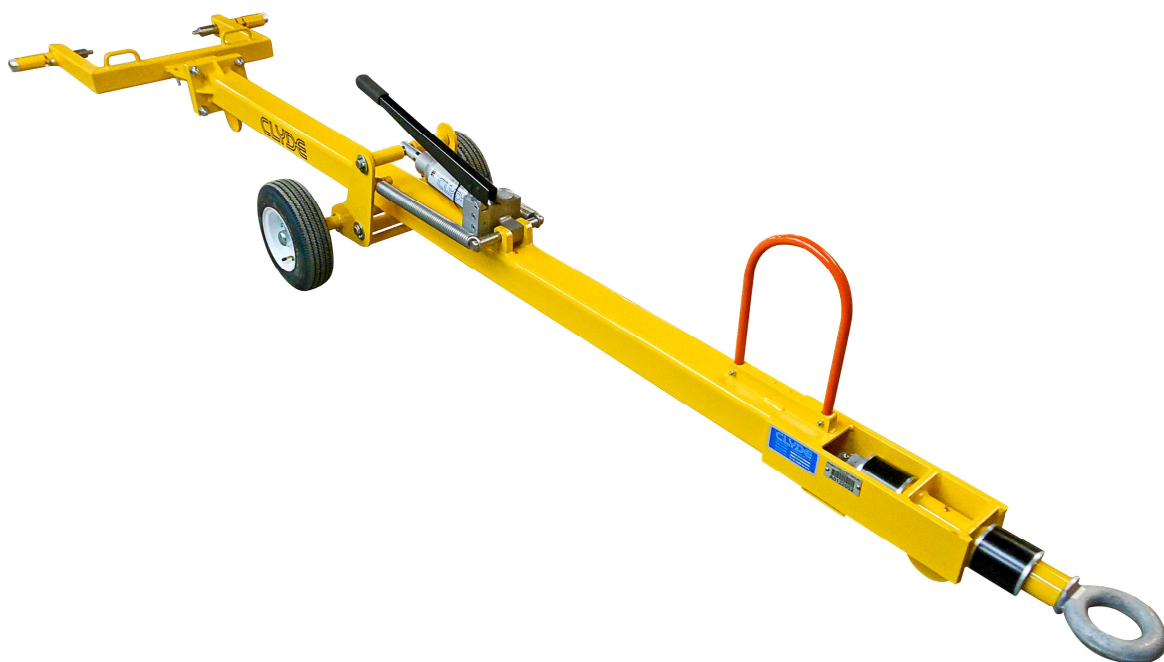




15F2929

## CRJ 100/200/440/700/705/900 Towbar



Building Quality Ground Support Products Since 1961

- Also fits Challenger 850/870/890 and Raytheon Hawker 4000
- Main frame constructed of structural tubing
- 4" cushioned swivel lunette towing eye
- Fully retractable hydraulic undercarriage for adjustable height
- Towbar is shear bolt designed to protect aircraft nosegear
- Skid plate behind towing eye keeps towing eye from striking ground
- Safety lock system to avoid separation from aircraft
- Solid tires
- Epoxy powder coated per customer color

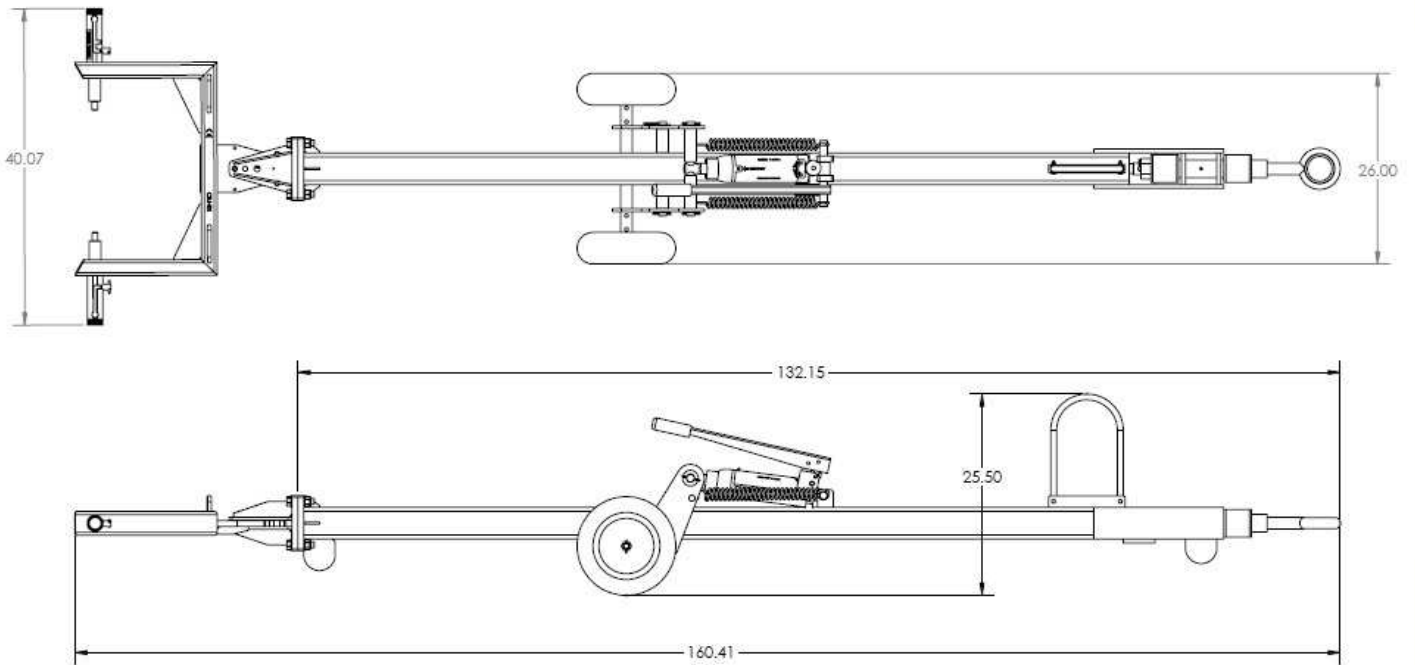
# CLYDE

Clyde Machines  
P.O. Box 194  
1150 Hwy 55 N.  
Glenwood, MN 56334 USA  
(320) 634-4504  
(320) 634-4506 Fax

[www.clydemachines.com](http://www.clydemachines.com)

# 15F2929

## CRJ 100/200/440/700/705/900 Towbar



### Shipping Information

- Shipping Dimensions:
  - Weight - 308 lbs
  - Length - 161"
  - Width - 41"
  - Height - 23"

# CLYDE

**Clyde Machines**  
P.O. Box 194  
1150 Hwy 55 N.  
Glenwood, MN 56334 USA  
(320) 634-4504  
(320) 634-4506 Fax

[www.clydemachines.com](http://www.clydemachines.com)