



15F2842

# B777 Towbar



Building Quality Ground Support Products Since 1961

- Made of high strength steel
- Quality shear bolts for aircraft protection
- Safety lock system to avoid separation from aircraft.
- Fully retractable hydraulic running gear for adjustable height
- Pneumatic tires
- Durable powder coat finish
- Extra set of shear bolts included

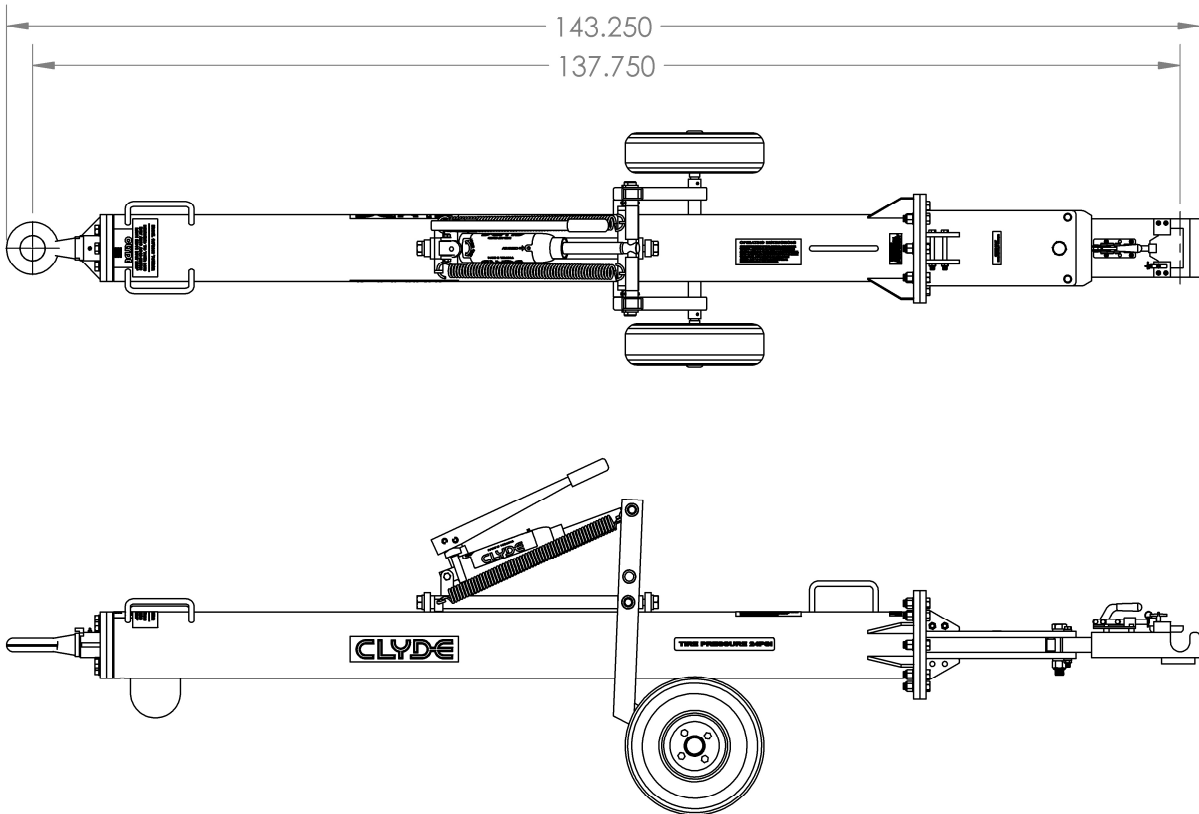
# CLYDE

Clyde Machines  
P.O. Box 194  
1150 Hwy 55 N.  
Glenwood, MN 56334 USA  
(320) 634-4504  
(320) 634-4506 Fax

[www.clydemachines.com](http://www.clydemachines.com)

15F2842

# B777 Towbar



## Shipping Information

- Shipping Weight
  - 630 lbs.
- Shipping Dimensions:
  - Length — 144"
  - Width — 30"
  - Height — 30"
- Crated Shipping Weight:
  - 930 lbs.
- Crated Shipping Dimensions:
  - Length — 152"
  - Width — 26"
  - Height — 36"

# CLYDE

Clyde Machines  
P.O. Box 194  
1150 Hwy 55 N.  
Glenwood, MN 56334 USA  
(320) 634-4504  
(320) 634-4506 Fax

[www.clydemachines.com](http://www.clydemachines.com)