



15F2828

MD80-88-90 / DC9 Towbar



Building Quality Ground Support Products Since 1961

- Main frame constructed of structural tubing
- 4" cushioned swivel lunette towing eye
- Fully retractable hydraulic undercarriage for adjustable height
- Towbar is shear bolt designed to protect aircraft nosegear
- Skid plate behind towing eye keeps towing eye from striking ground
- Safety lock system to avoid separation from aircraft
- Epoxy powder coated per customer color
- Solid tires
- Optional pneumatic tires

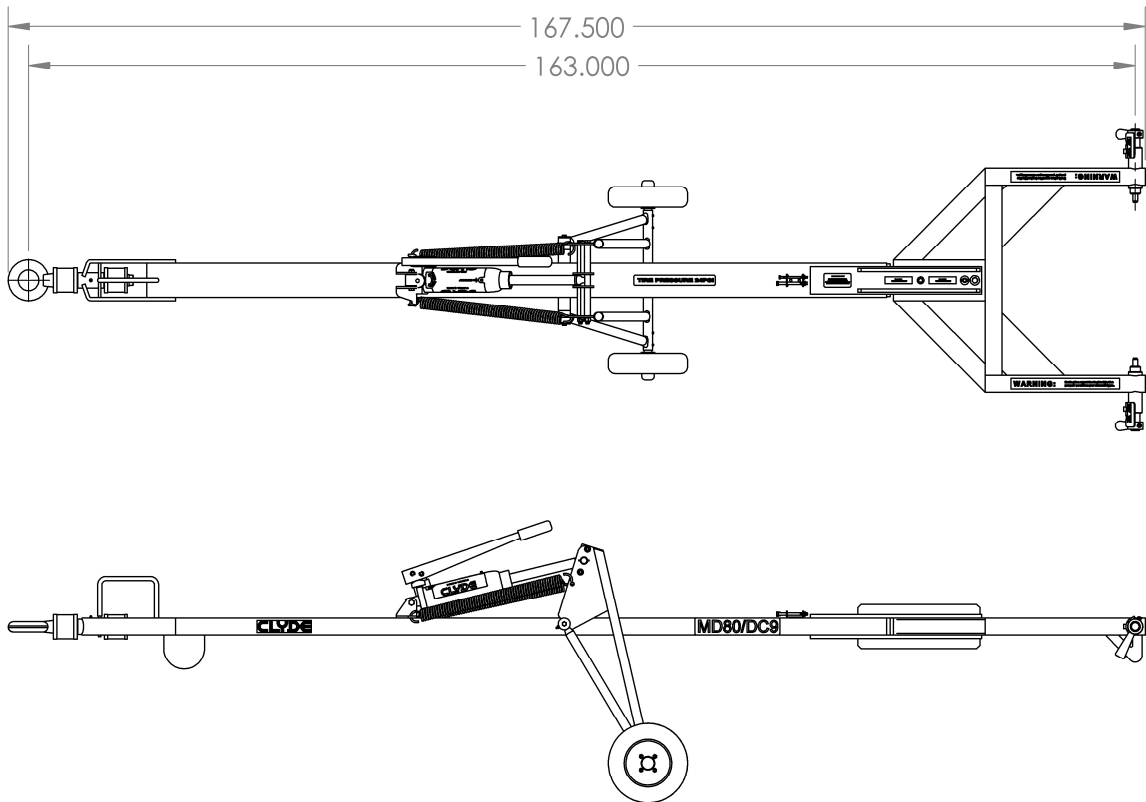
CLYDE

Clyde Machines
P.O. Box 194
1150 Hwy 55 N.
Glenwood, MN 56334 USA
(320) 634-4504
(320) 634-4506 Fax

www.clydemachines.com

15F2828

MD80-88-90 / DC-9 Towbar



Shipping Information

- Shipping Dimensions:
 - 382 lbs.
 - Length — 168"
 - Width — 42"
 - Height — 20"

CLYDE

Clyde Machines
P.O. Box 194
1150 Hwy 55 N.
Glenwood, MN 56334 USA
(320) 634-4504
(320) 634-4506 Fax

www.clydemachines.com