



15F2663

737 / 100-500 Towbar



Building Quality Ground Support Products Since 1961

- 8" x 15' high strength aluminum tube
- Fully retractable hydraulic running gear for adjustable height
- Durable powder coated paint
- Safety lock system to avoid separation from aircraft
- Quality shear bolts for aircraft protection
- Extra set of shear bolts included
- Solid tires
- Options:
 - Foam filled tires
 - Pneumatic tires
 - Shock mounted lunette
 - Ratchet type head

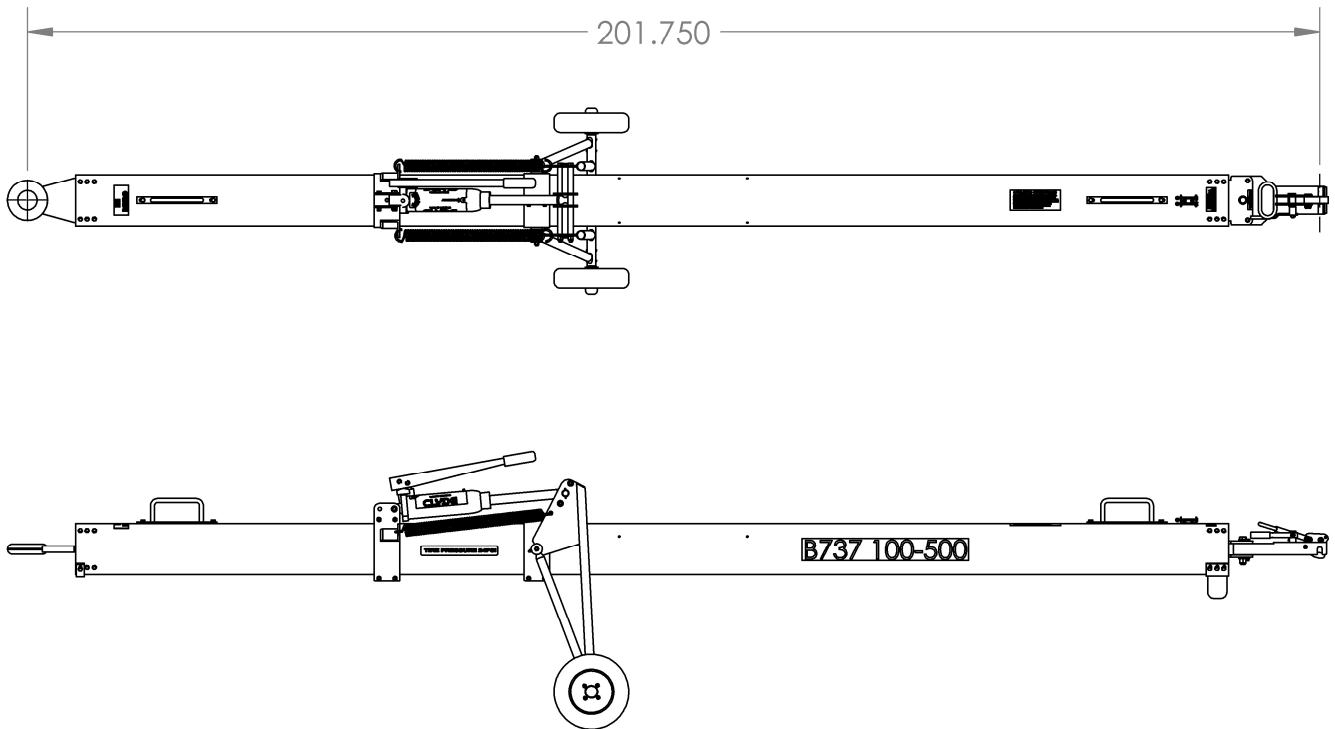
CLYDE

Clyde Machines
P.O. Box 194
1150 Hwy 55 N.
Glenwood, MN 56334 USA
(320) 634-4504
(320) 634-4506 Fax

www.clydemachines.com

15F2663

737 / 100-500 Towbar



Shipping Information

- Shipping weight:
 - 325 lbs.
- Shipping dimensions:
 - Length - 205"
 - Width - 25"
 - Height - 25"
- Crated Weight
 - 730 lbs.
- Crated dimensions:
 - Length - 217"
 - Width - 26"
 - Height - 27"

CLYDE

Clyde Machines
P.O. Box 194
1150 Hwy 55 N.
Glenwood, MN 56334 USA
(320) 634-4504
(320) 634-4506 Fax

www.clydemachines.com