

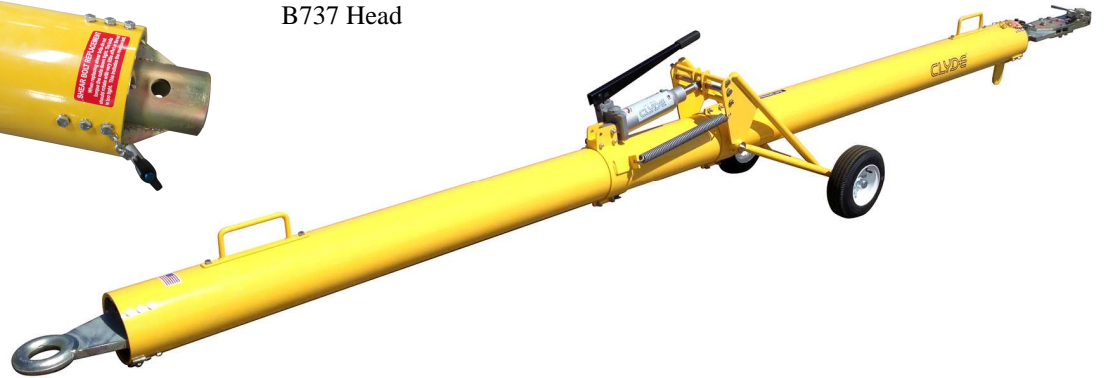


15F2515

Quick Change Towbar



* Shown with
B737 Head



Building Quality Ground Support Products Since 1961

- Quick change multi-head, narrow body Towbar
- 8" x 15' high strength aluminum tube
- Fully retractable hydraulic undercarriage for adjustable height
- Safety lock system to avoid separation from aircraft
- Durable powder coat finish
- Quality shear bolts for aircraft protection
- Solid tires
- Optional pneumatic or foam filled tires
- Fits:
 - B727 Clamp type
 - B727 Pin type**
 - B757 Clamp type
 - B737 Clamp type
 - B737 Pin type
 - Fokker 100 Clamp type
 - A320 Clamp type

**B727 pin type will fit nose gear of the A300

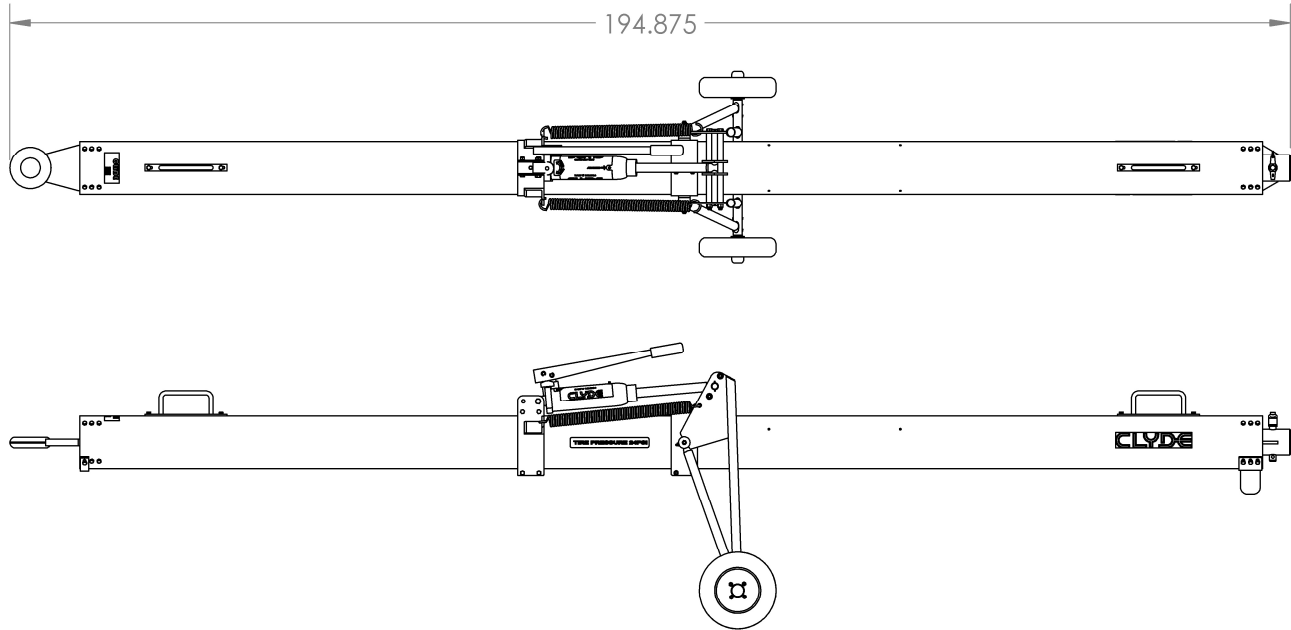
CLYDE

Clyde Machines
P.O. Box 194
1150 Hwy 55 N.
Glenwood, MN 56334 USA
(320) 634-4504
(320) 634-4506 Fax

www.clydemachines.com

15F2515

Quick Change Towbar



Shipping Information

- Dimensions:
 - Weight - 350 lbs
 - Length - 212"
 - Width - 29"
 - Height - 25"
- Crated Dimensions:
 - Weight - 730 lbs
 - Length - 212"
 - Width - 26"
 - Height - 27"

CLYDE

Clyde Machines
P.O. Box 194
1150 Hwy 55 N.
Glenwood, MN 56334 USA
(320) 634-4504
(320) 634-4506 Fax

www.clydemachines.com