



15F2397

# Wide Body Towbar



Building Quality Ground Support Products Since 1961

- Fully retractable hydraulic running gear for adjustable height
  - Safety lock system to avoid separation from aircraft
  - Tube made of high strength steel
  - Quality shear bolts for aircraft protection
  - Durable powder coat finish
  - Extra set of shear pins included
  - Pneumatic tires
- Model Fits:
- DC10
  - B767
  - L1011
  - A 340 200/300
  - MD 11
  - A330
  - A350
  - B777\*
  - B787\*\*
  - IL-96
  - C17

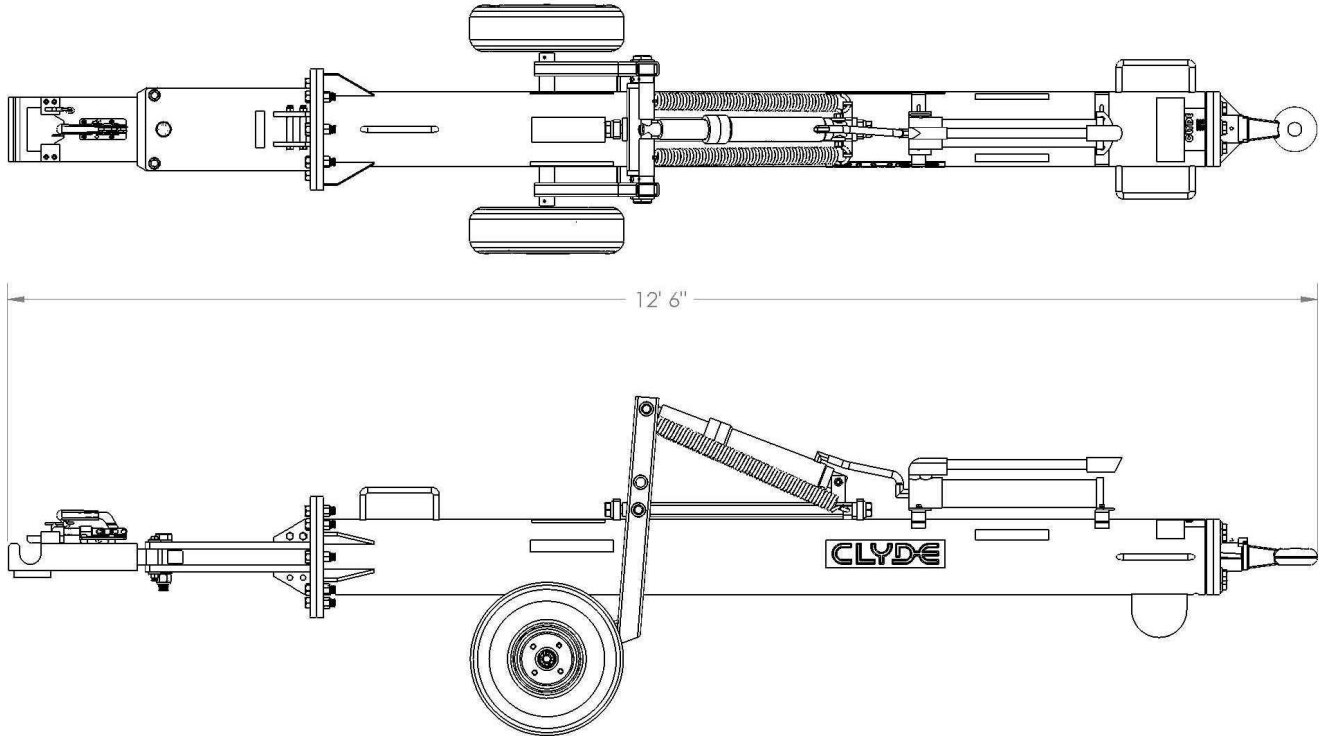
# CLYDE

Clyde Machines  
P.O. Box 194  
1150 Hwy 55 N.  
Glenwood, MN 56334 USA  
(320) 634-4504  
(320) 634-4506 Fax

[www.clydemachines.com](http://www.clydemachines.com)

# 15F2397

## Wide Body Towbar



### Shipping Information

Shipping weight:

- 650 lbs.

Shipping Dimensions:

- Length — 144"
- Width — 29"
- Height — 25"

Crated shipping weight:

- 930 lbs.

Crated dimensions:

- Length — 152"
- Width — 22"
- Height — 30"

\* "For use as dedicated B777/B787 towbar a shear pin, part #1504708, is offered. This heavier shear pin is not for use on other applicable aircraft models."

\*\* "Some pushback tractors may require a longer towbar to clear aircraft nose. Model 15F3045 is offered"

# CLYDE

**Clyde Machines**  
P.O. Box 194  
1150 Hwy 55 N.  
Glenwood, MN 56334 USA  
(320) 634-4504  
(320) 634-4506 Fax

[www.clydemachines.com](http://www.clydemachines.com)