



15F2955

Mobility Chair Lift



Building Quality Ground Support Products Since 1961

- The Mobility Chair Lift is designed to lift mobility chairs from ground level to belt loader height
- 12 volt Electric over Hydraulic lifting mechanism - with on board battery charger and solar panel
- 29" of travel— 40" max height
- Unit Capacity — 700 lbs.
- Towbar actuated adjustable brake
- Epoxy Powder Coat
- Solid 400x8 Tires

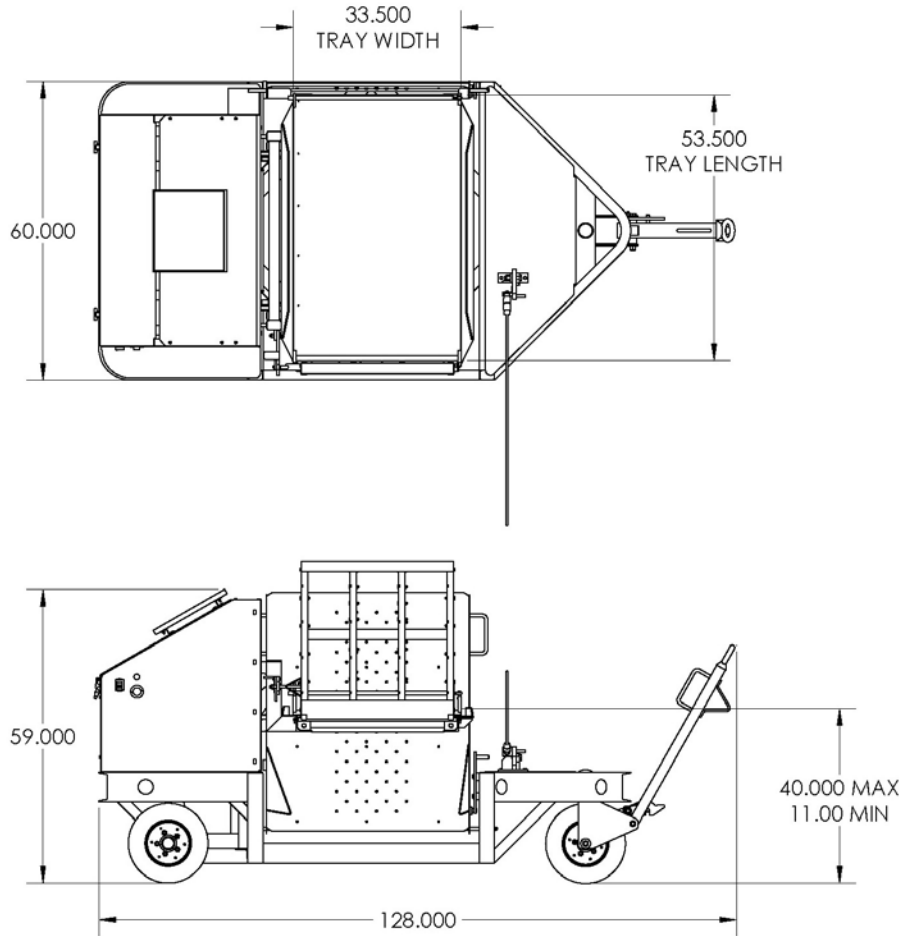
CLYDE

Clyde Machines
P.O. Box 194
1150 Hwy 55 N.
Glenwood, MN 56334 USA
(320) 634-4504
(320) 634-4506 Fax

www.clydemachines.com

15F2955

Mobility Chair Lift



Shipping Information

Weight—1650 lbs.
Length—128”
Height—59”
Width—60”

CLYDE

Clyde Machines
P.O. Box 194
1150 Hwy 55 N.
Glenwood, MN 56334 USA
(320) 634-4504
(320) 634-4506 Fax

www.clydemachines.com