



15F2850

Passenger Stair



Building Quality Ground Support Products Since 1961

- Operation Height: 58" x 93"
- Platform size: 76" x 50"
- Step width: 48"
- Adjustable platform height using hand pump
- Modesty panels on all steps and platform handrails
- Battery powered LED lighting system with adjustable timer
- Onboard battery charger
- Battery level indicator
- Stabilizer jacks
- Sliding handrails to clear aircraft door
- Non-marring soft rubber bumpers
- Services Aircraft:
 - BAC1-11
 - RJ70
 - AN22
 - BA HS74B
 - RJ100
 - RJ85
 - BA ATP J61
 - YAK-40
 - AN12B
 - SAAB SF-340
 - F28
 - F100
 - F70
 - CL-65
 - CRJ100-200
 - EMBRAER120

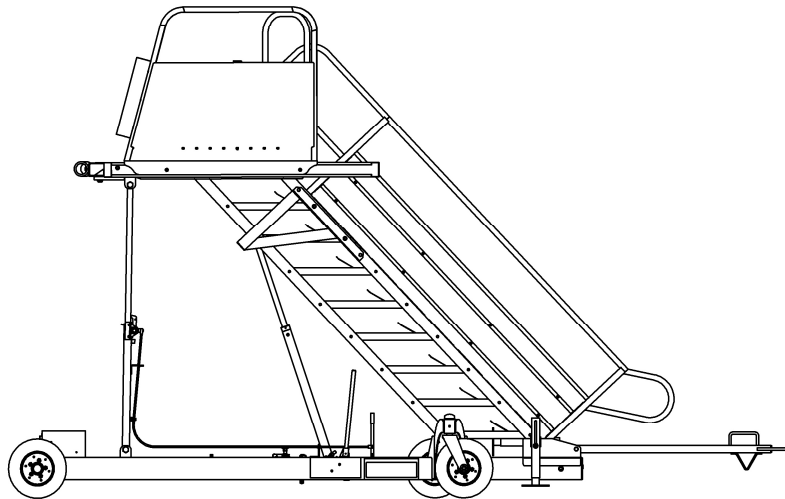
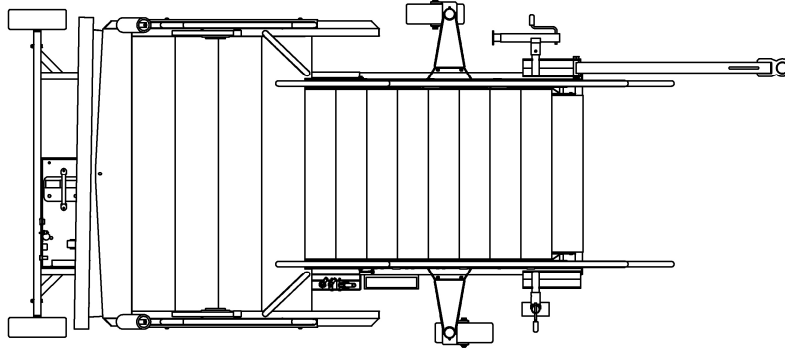
CLYDE

Clyde Machines
P.O. Box 194
1150 Hwy 55 N.
Glenwood, MN 56334 USA
(320) 634-4504
(320) 634-4506 Fax

www.clydemachines.com

15F2850

Passenger Stair



- Platform capacity, 500 lbs. / Full stairway capacity, 2500 lbs.
- Services various passenger door sill heights, 58” to 93”
- “group 24” deep cycle battery
- Equipped with towbar - folding with 3” dia. Eye
- Epoxy powder coated per customer color
- Shipping Dimensions
 - Weight - 2500 lbs.
 - Length - 185”
 - Width - 91”
 - Height - 103”

CLYDE

Clyde Machines
P.O. Box 194
1150 Hwy 55 N.
Glenwood, MN 56334 USA
(320) 634-4504
(320) 634-4506 Fax

www.clydemachines.com