



15F3065

Maintenance Stand



Building Quality Ground Support Products Since 1961

- An updated, improved version of the long time standard B-5 used by the Military
- Foot actuated hydraulic pump
- 8" Heavy duty swivel casters with brakes and swivel locks
- Working height of 88"-138"
- Platform size of 30" x 76"
- 500 lb capacity
- Epoxy powder coat per customer color

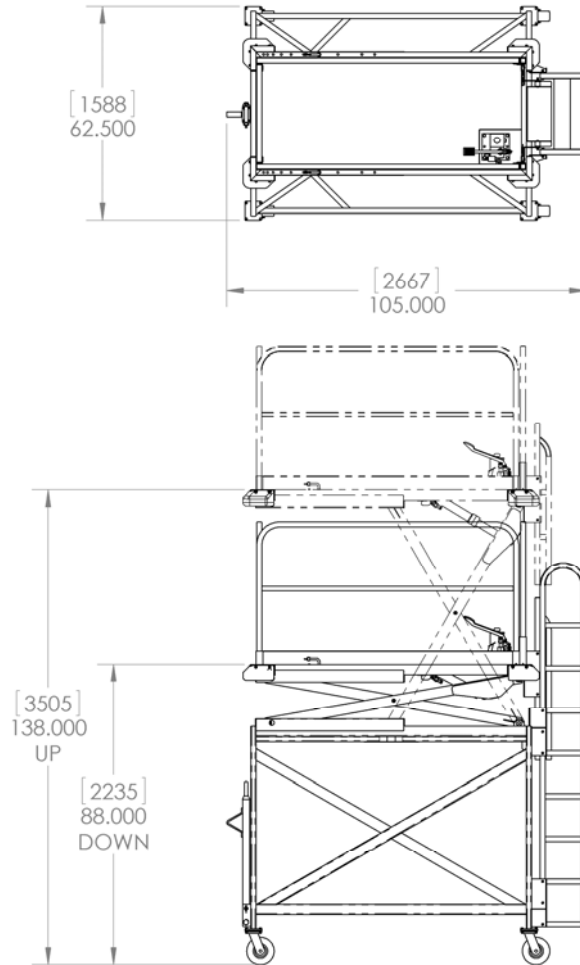
CLYDE

Clyde Machines
P.O. Box 194
1150 Hwy 55 N.
Glenwood, MN 56334 USA
(320) 634-4504
(320) 634-4506 Fax

www.clydemachines.com

15F3065

Maintenance Stand



Shipping Information

- Weight - 1250 lbs
- Length - 105"
- Width - 63"
- Height - 101"

CLYDE

Clyde Machines
P.O. Box 194
1150 Hwy 55 N.
Glenwood, MN 56334 USA
(320) 634-4504
(320) 634-4506 Fax

www.clydemachines.com