



15F2954

# Maintenance/Crew Stand



## Building Quality Ground Support Products Since 1961

- 500 lb capacity
- Hydraulically elevates 5' to 19'
- Hand actuated hydraulic pump with optional Air over hydraulic system
- 36" x 60" main platform featuring swing out hand rails and non-slip steel grip- strut floor
- Fixed front and swivel rear casters provide ease in maneuverability.
- Hand adjustable screw jacks on each end for stability
- Parallelogram of welded tubular steel and cross braces automatically keeps platform and steps level with ground

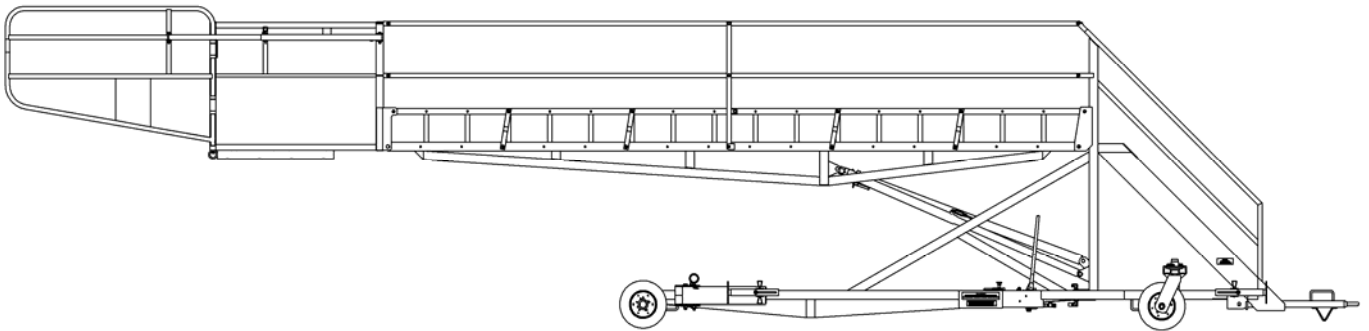
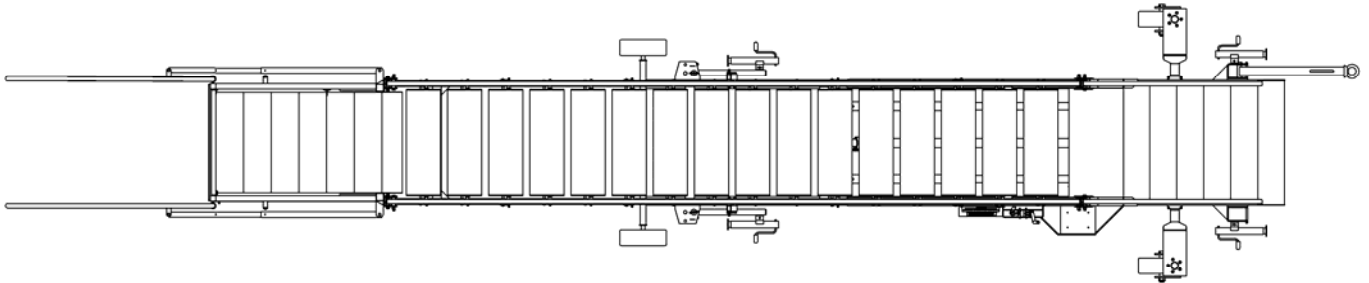
# CLYDE

**Clyde Machines**  
P.O. Box 194  
1150 Hwy 55 N.  
Glenwood, MN 56334 USA  
(320) 634-4504  
(320) 634-4506 Fax

[www.clydemachines.com](http://www.clydemachines.com)

15F2954

# Maintenance/Crew Stand



- 3" O.D. non-marring rubber bumper at the front of the platform
- Safety strut with pin
- Flow resistor on outlet of cylinder in case of oil pressure drop

## Shipping Information

- Dimensions:
  - Length - 369"
  - Width - 96"
  - Height 107"
  - Platform Height - 5' - 19'
  - Weight - 3,350 lbs

# CLYDE

**Clyde Machines**  
P.O. Box 194  
1150 Hwy 55 N.  
Glenwood, MN 56334 USA  
(320) 634-4504  
(320) 634-4506 Fax

[www.clydemachines.com](http://www.clydemachines.com)