

15F2949



Maintenance Stand



Building Quality Ground Support Products Since 1961

- B737 48 Section Ladder
- Non-slip self-cleaning steps and platform floor
- 500 lb capacity
- Heavy-duty casters and 16" dia. Pneumatic tires make it easy to move from job-to-job
- Base, stairs, and platform stay parallel at any height position
- All-steel, welded construction
- Adjustable to any height within its 36" to 90" platform floor range

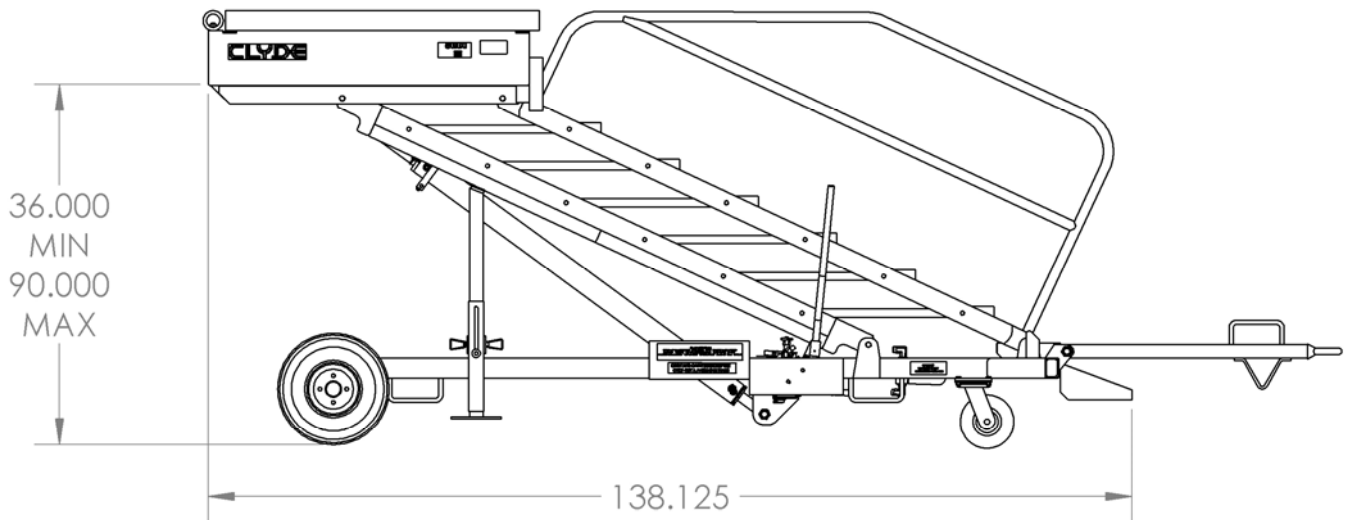
CLYDE

Clyde Machines
P.O. Box 194
1150 Hwy 55 N.
Glenwood, MN 56334 USA
(320) 634-4504
(320) 634-4506 Fax

www.clydemachines.com

15F2949

Maintenance Stand



Shipping Information

- Capacity - 500 lbs
- Platform Height - 36" to 90"
- Standard Platform size - 4' x 4'
- Weight of stand - 1400 lbs
- Shipping dimensions
 - Width - 72"
 - Height - 62"
 - Length - 138.5"

CLYDE

Clyde Machines
P.O. Box 194
1150 Hwy 55 N.
Glenwood, MN 56334 USA
(320) 634-4504
(320) 634-4506 Fax

www.clydemachines.com