



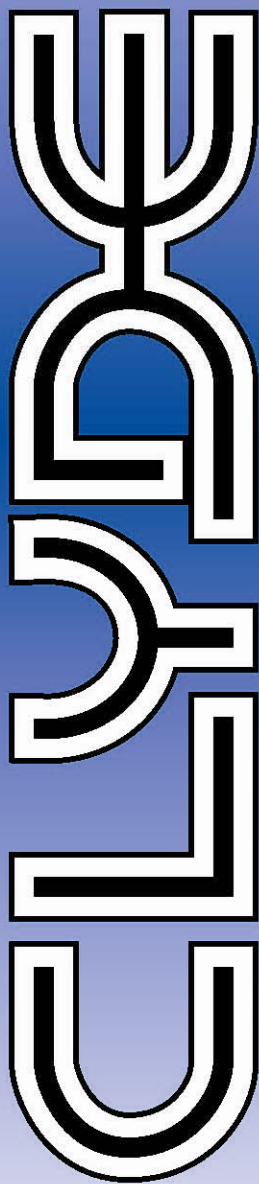
15F1986

Maintenance Stand



Building Quality Ground Support Products Since 1961

- Non-slip, self-cleaning steps and platform floor
- Heavy-duty casters and 16" dia. pneumatic tires make it easy to move from job-to-job
- Stair and platform railings can be lifted out and stored on the base
- Base, stairs, and platform stay parallel at any height position
- Options:
 - 4.00 x 8 solid rubber-compound tires
 - Large caster option



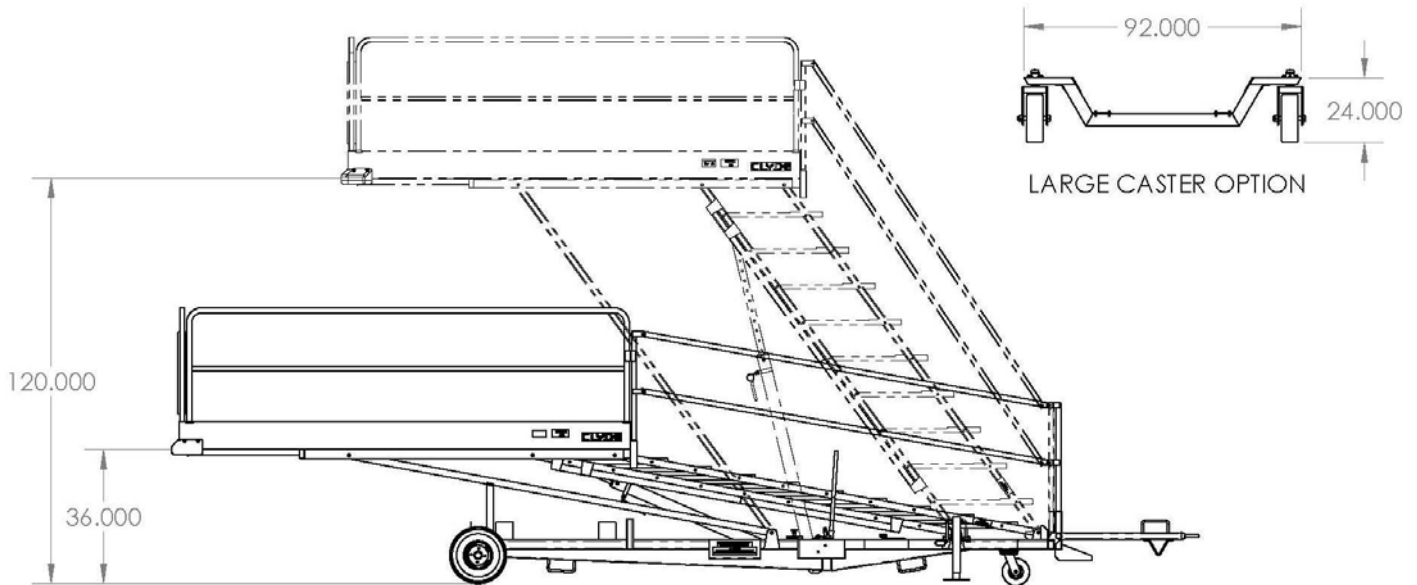
CLYDE

Clyde Machines
P.O. Box 194
1150 Hwy 55 N.
Glenwood, MN 56334 USA
(320) 634-4504
(320) 634-4506 Fax

www.clydemachines.com

15F1986

Maintenance Stand



Shipping Information

- Dimensions:
 - Capacity - 500 lbs
 - Platform Height - 3' to 10'
 - Platform Size - 4' x 11'
 - Weight - 1700 lbs
- Shipping Dimensions:
 - Length - 22.5'
 - Width - 72"
 - Height - 43"

CLYDE

Clyde Machines
P.O. Box 194
1150 Hwy 55 N.
Glenwood, MN 56334 USA
(320) 634-4504
(320) 634-4506 Fax

www.clydemachines.com