



15F1900

# Maintenance Stand



## Building Quality Ground Support Products Since 1961

The Clyde 15F1900 maintenance stand is an updated, improved version of the long-time standard Type B-1 used by the Air Force. The 15F1900 is more rugged, elevates an additional two feet and has a double acting hydraulic hand pump. The 15F1900 is truly a practical and economic solution for high and overhead maintenance or production jobs that are 6 to 18 feet above the floor. It's also used as temporary access stairways for aircraft and construction work. The 15F1900 48" x 48" standard work platform can be positioned to any height in its range by means of its self-contained hydraulic system.

### Other features include:

- Non-slip self-cleaning steps and platform floor

- 500 lb capacity
- Heavy-duty casters and 16" dia. Pneumatic tires make it easy to move from job-to-job
- Stair and platform railings can be lifted out and stored on the base
- Base, stairs, and platform stay parallel at any height position
- All-steel, welded construction
- Adjustable to any height within its 3 to 12 feet platform floor range

### Options:

- 4 x 6 platform with sliding handrails
- Large Caster Package
- Solid Tires

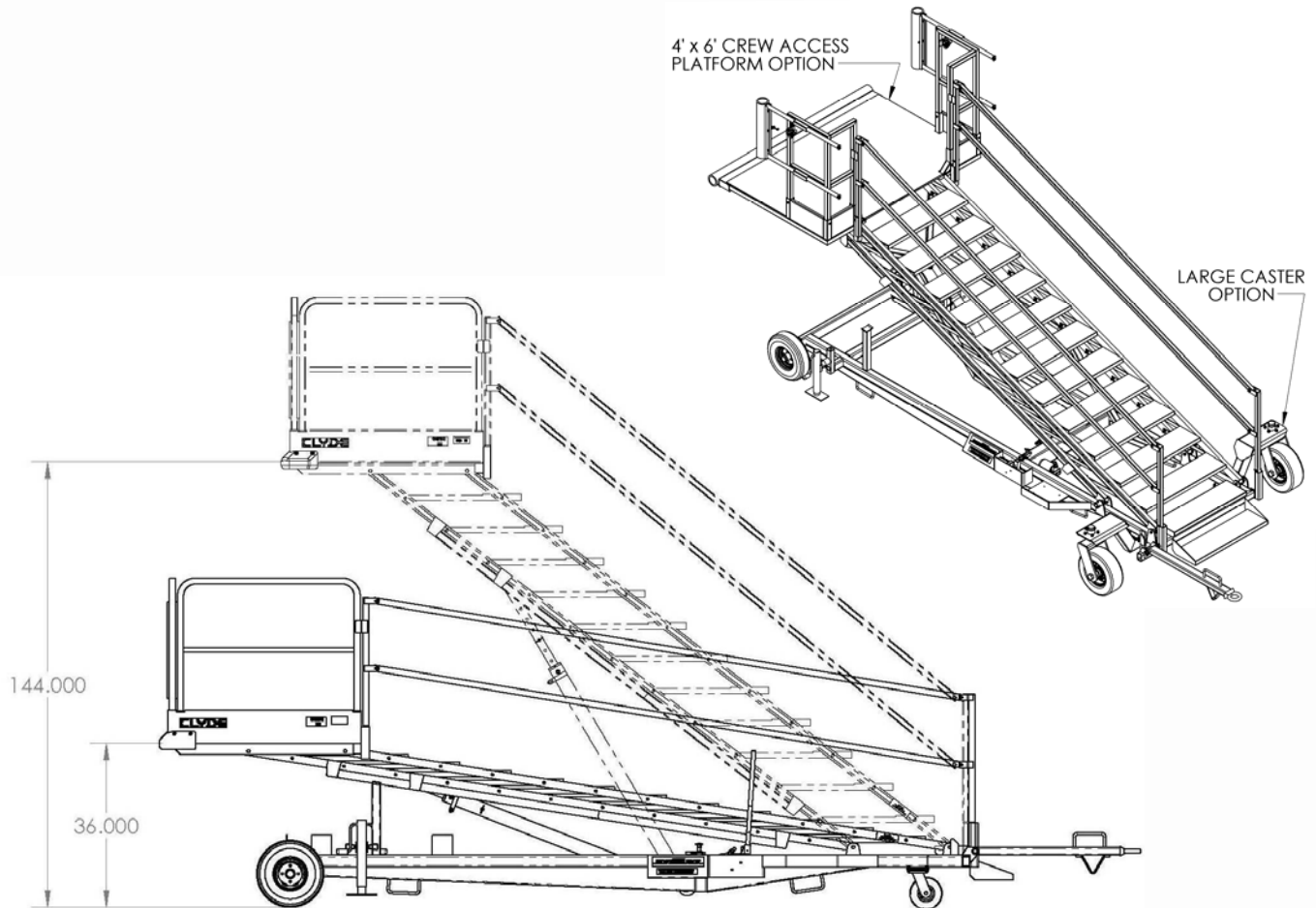
# CLYDE

**Clyde Machines**  
P.O. Box 194  
1150 Hwy 55 N.  
Glenwood, MN 56334 USA  
(320) 634-4504  
(320) 634-4506 Fax

[www.clydemachines.com](http://www.clydemachines.com)

15F1900

# Maintenance Stand



## Shipping Information

- Capacity - 500 lbs
- Platform Height - 3' to 12'
- Standard Platform size - 4' x 4'
- Weight of stand - 1560 lbs
- Shipping dimensions
  - Width - 72"
  - Height - 43"
  - Length - 17.75'

# CLYDE

**Clyde Machines**  
P.O. Box 194  
1150 Hwy 55 N.  
Glenwood, MN 56334 USA  
(320) 634-4504  
(320) 634-4506 Fax

[www.clydemachines.com](http://www.clydemachines.com)