



15F2885 & 15F2895

# Container Trailer



## Building Quality Ground Support Products Since 1961

- Capacity - (2) LD2, (1) LD3, (1) LD8
- Two wheel steering (15F2895)
- Four wheel steering (15F2885)
- Long tie rod protected from impact
- Casters and rollers protected from impact
- Under carriage protected from impact
- Containers rotate without complicated mechanisms = less maintenance
- Durable powder coat finish

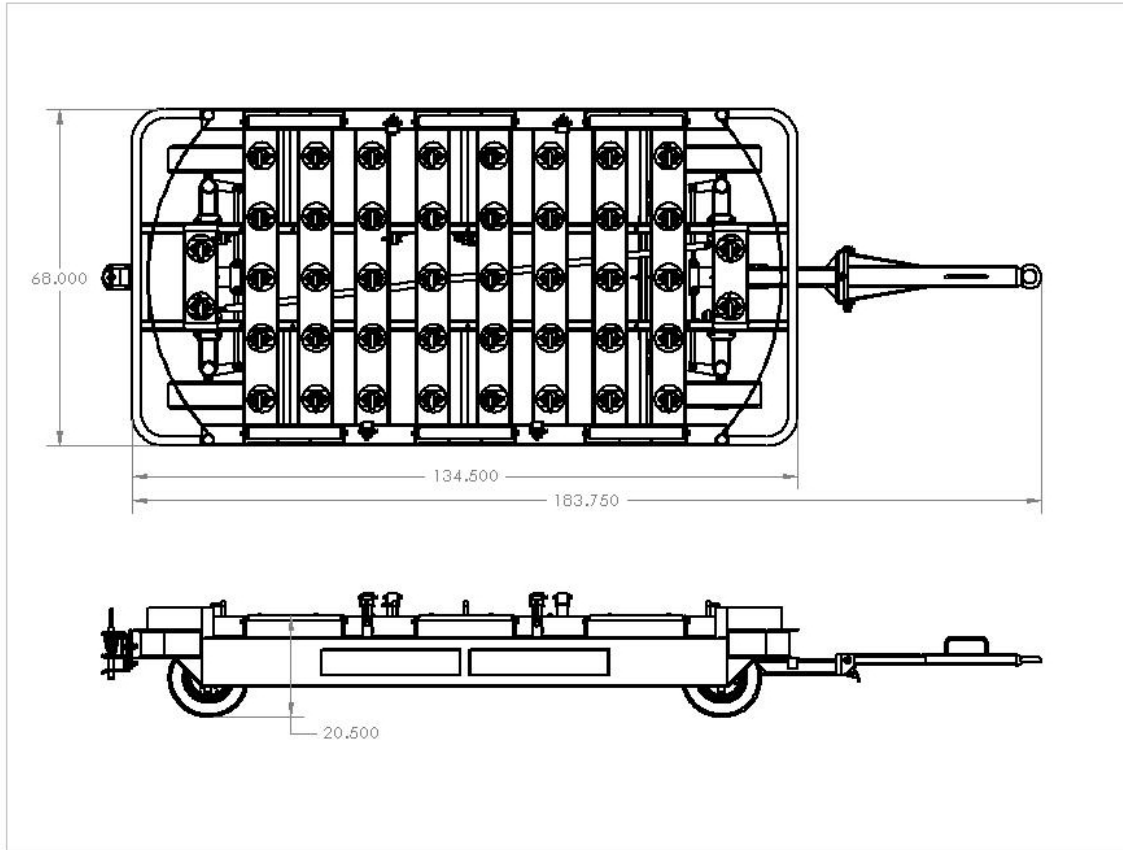
# CLYDE

Clyde Machines  
P.O. Box 194  
1150 Hwy 55 N.  
Glenwood, MN 56334 USA  
(320) 634-4504  
(320) 634-4506 Fax

[www.clydemachines.com](http://www.clydemachines.com)

15F2885 & 15F2895

# Container Trailer



## Shipping Information

- Shipping weight - 2,000 lbs
- Shipping dimensions (towbar up)
  - Length - 170"
  - Width - 68"
  - Height - 22.5"

# CLYDE

**Clyde Machines**  
P.O. Box 194  
1150 Hwy 55 N.  
Glenwood, MN 56334 USA  
(320) 634-4504  
(320) 634-4506 Fax

[www.clydemachines.com](http://www.clydemachines.com)