



15F2805 & 15F2810

Container Trailer



Building Quality Ground Support Products Since 1961

- Capacity — LD1, LD2, and LD3
- Two wheel steering (15F2810)
- Four wheel steering (15F2805)
- Under carriage protection (optional)
- Long tie rod protected from impact
- Casters and rollers protected from impact
- Containers rotate without complicated mechanisms = less maintenance

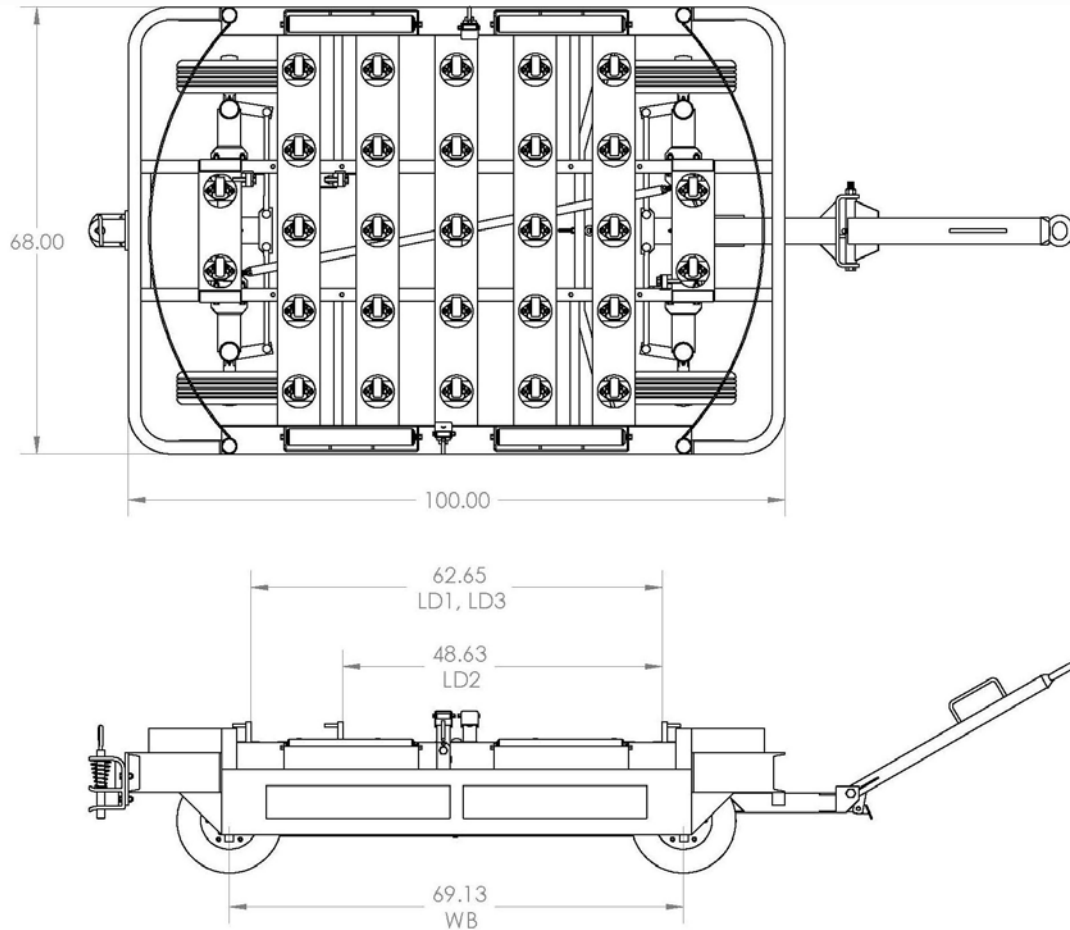
CLYDE

Clyde Machines
P.O. Box 194
1150 Hwy 55 N.
Glenwood, MN 56334 USA
(320) 634-4504
(320) 634-4506 Fax

www.clydemachines.com

15F2805 & 15F2810

Container Trailer



Shipping Information

- Empty weight:
 - 1200 lbs.
- O.A.L. (Hitch pin to lunette center) - 152"
- O.A.L. (Towbar up, brakes on) - 134"
- O.A.H. (Stops up) - 24"
- O.A.W.- 68"

CLYDE

Clyde Machines
P.O. Box 194
1150 Hwy 55 N.
Glenwood, MN 56334 USA
(320) 634-4504
(320) 634-4506 Fax

www.clydemachines.com