



15F2927

# Roller Deck Pallet Trailer



Building Quality Ground Support Products Since 1961

- Cargo capacity 15,000 lbs
- Pallet capacity 96" x 125" and 88" x 125"
- Grip strut walkways
- Spring loaded tip-up stops
- Towbar actuated brakes
- Rear hitch is an E-type, spring loaded pin unit (Other hitches are available upon request)
- Dual front wheel swivel casters with dual rear wheels
- Ridged front casters
- Max tow speed 20 mph (32 kph)

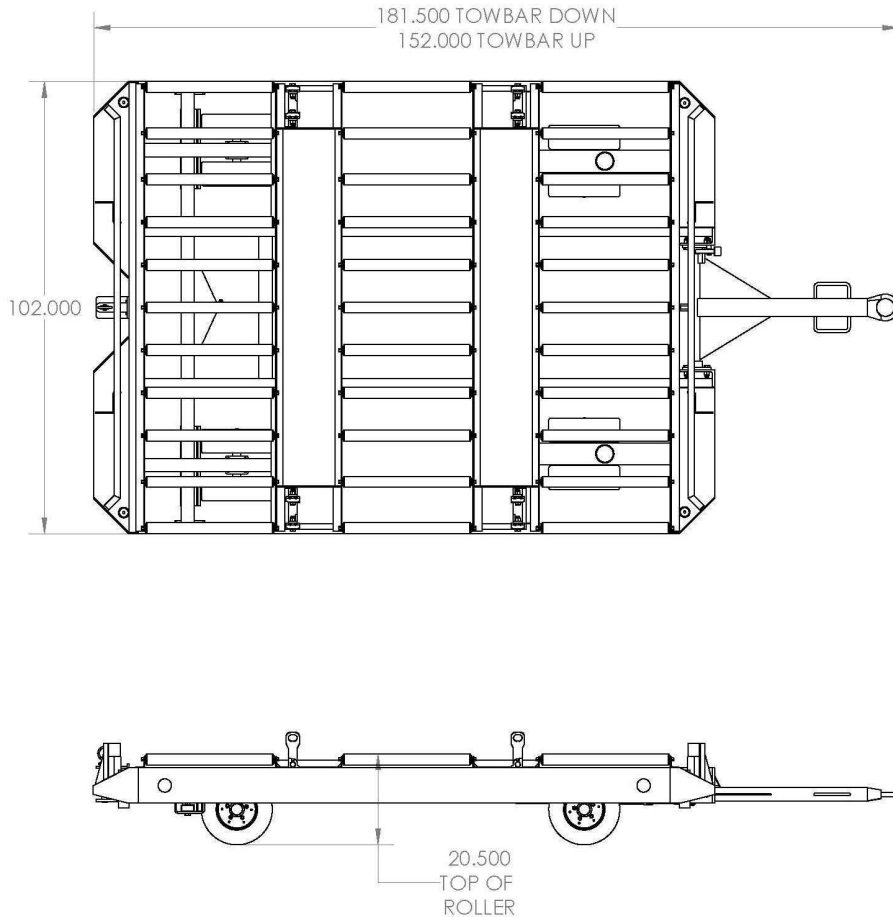
# CLYDE

Clyde Machines  
P.O. Box 194  
1150 Hwy 55 N.  
Glenwood, MN 56334 USA  
(320) 634-4504  
(320) 634-4506 Fax

[www.clydemachines.com](http://www.clydemachines.com)

**15F2927**

# Roller Deck Pallet Trailer



## Shipping Information

- Dimensions:
  - Weight - 2450 lbs
  - Length - 181.5" (towbar down)
  - Length - 152" (towbar up)
  - Height - 23"
  - Width - 102"

**CLYDE**

**Clyde Machines**  
P.O. Box 194  
1150 Hwy 55 N.  
Glenwood, MN 56334 USA  
(320) 634-4504  
(320) 634-4506 Fax

[www.clydemachines.com](http://www.clydemachines.com)